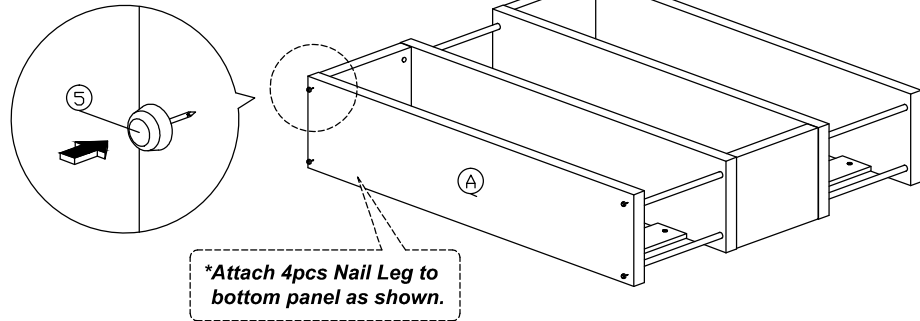
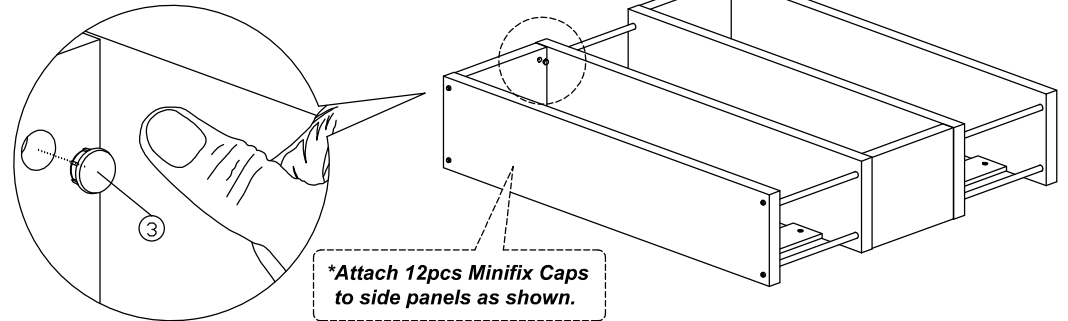


Assembly Instruction

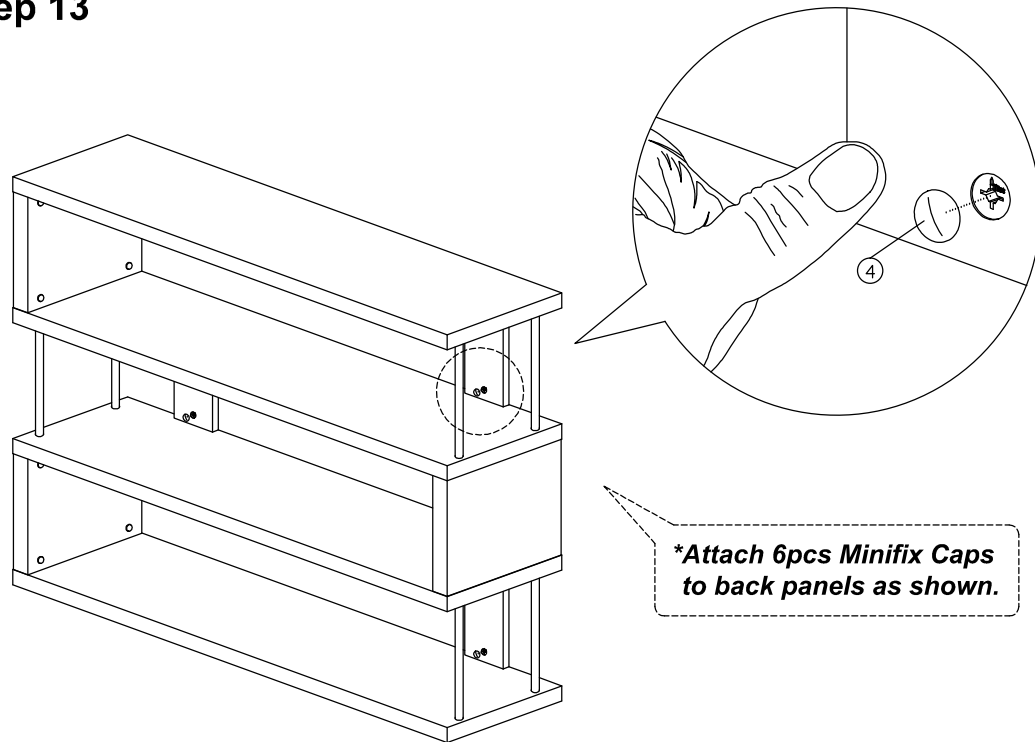
Step 11



Step 12



Step 13



Complete

