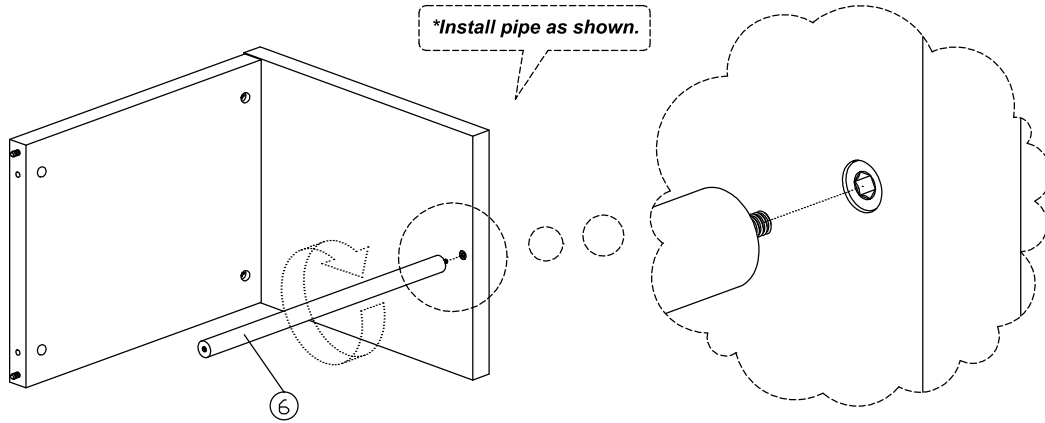
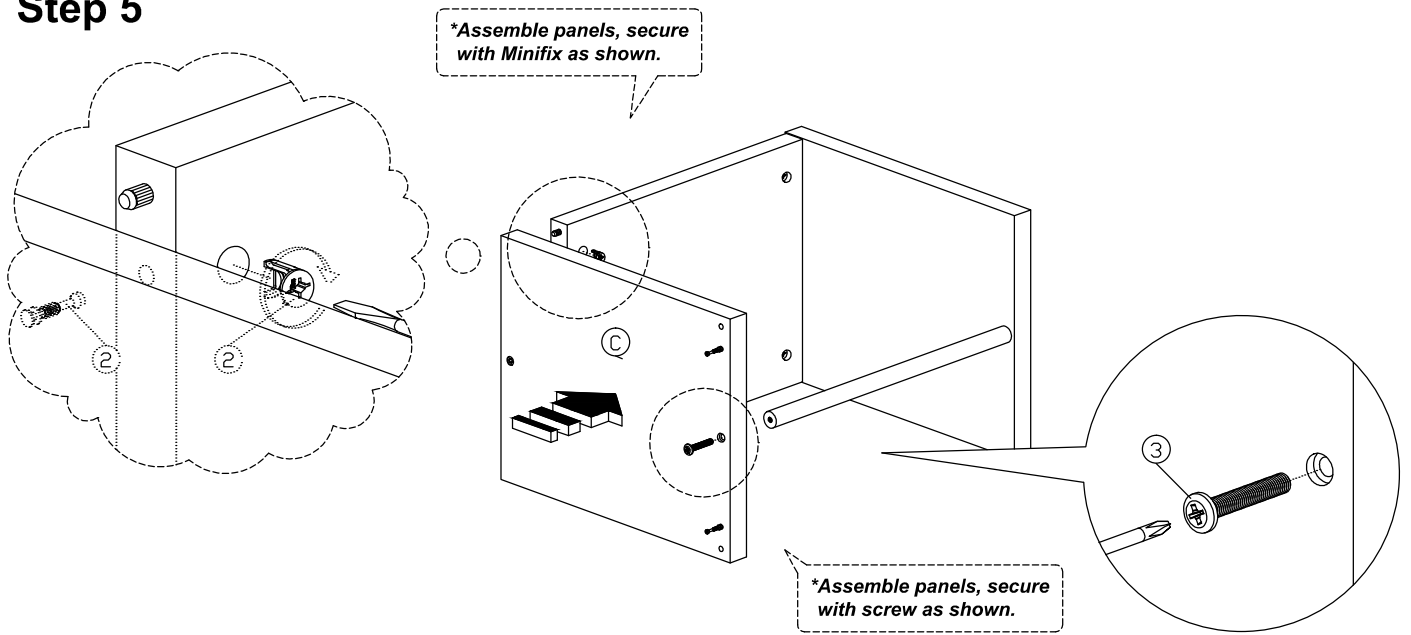


# Assembly Instruction

## Step 4



## Step 5



## Step 6

