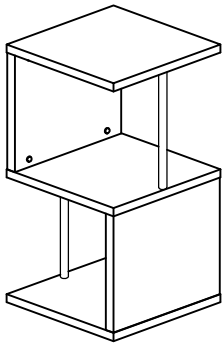


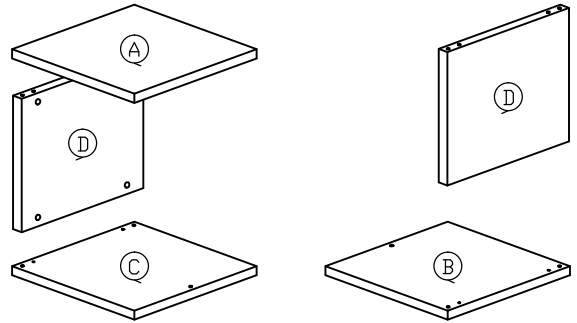
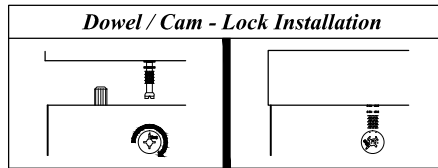
Assembly Instruction

Model : FP - 2T

Part List

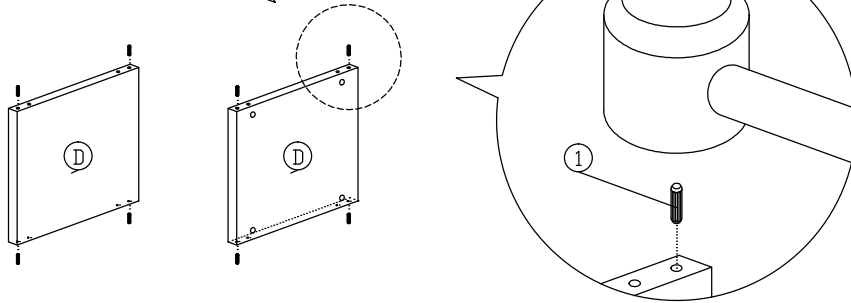


| Hardware List | | | |
|---------------|-------|--------------------------|-------|
| No. | SHAPE | DESCRIPTION | Qty. |
| 1 | | 8x25mm Wood Dowel | 8Pcs |
| 2 | | 15MM Titus Mini Fix | 8Sets |
| 3 | | Screw M8x34mm | 2Pcs |
| 4 | | 15mm Minifix Cap (hole) | 8Pcs |
| 5 | | Nail Leg | 4Pcs |
| 6 | | Steel Pipe (Ø25 x 360mm) | 2Pcs |



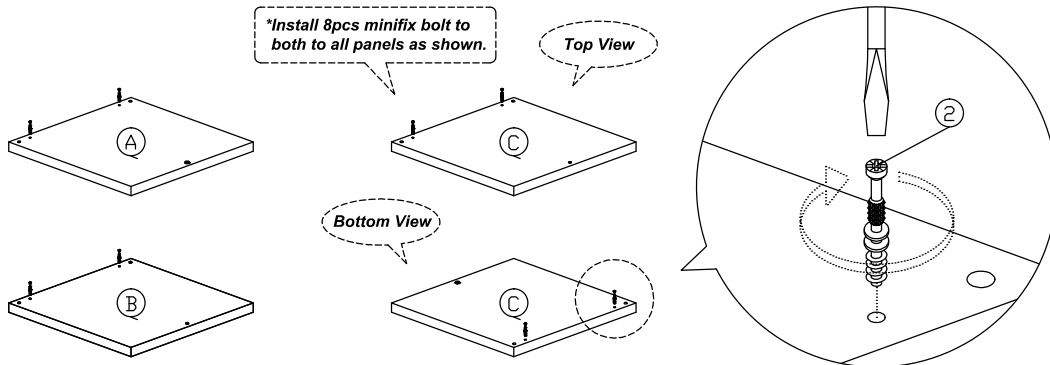
Step 1

*Install 12pcs Wood Dowel into all panels as shown.



Step 2

*Install 8pcs minifix bolt to both to all panels as shown.



Step 3

*Assemble panels, secure with Minifix as shown.

