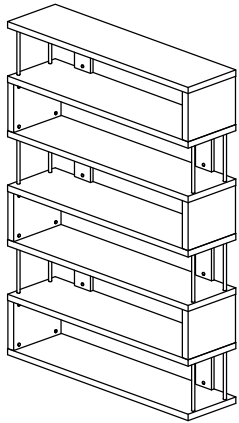
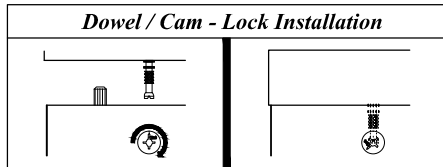


# Assembly Instruction

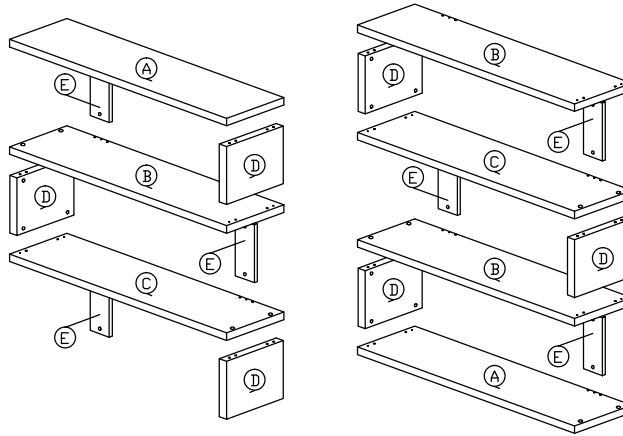
Model : FP - 6D



Hardware List			
No.	SHAPE	DESCRIPTION	Qty.
1		8x25mm Wood Dowel	48Pcs
2		15MM Titus Mini Fix	36Sets
3		15mm Minifix Cap	24Pcs
4		15MM Mini Fix Cap	12Pcs
5		Nail Leg	4Pcs
6		Cylinder Pipe (300mm)	12Pcs

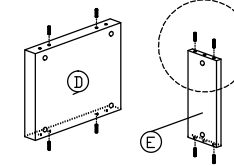


Part List

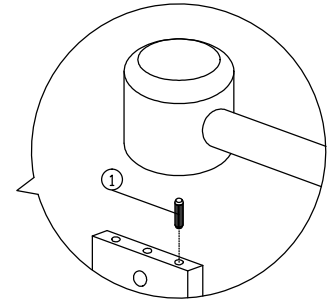


Step 1

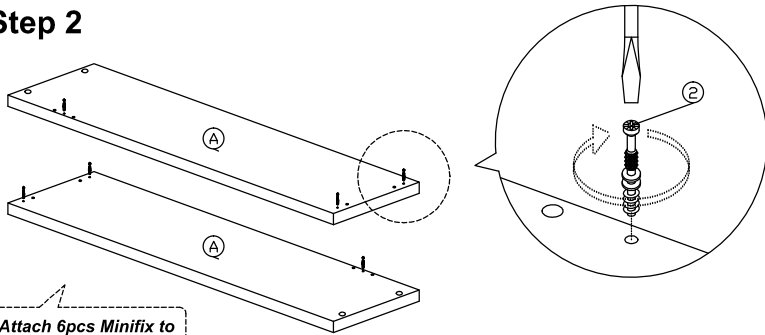
\*Install 48pcs Wood Dowel into all panels as shown.



\*1 x 6pcs.

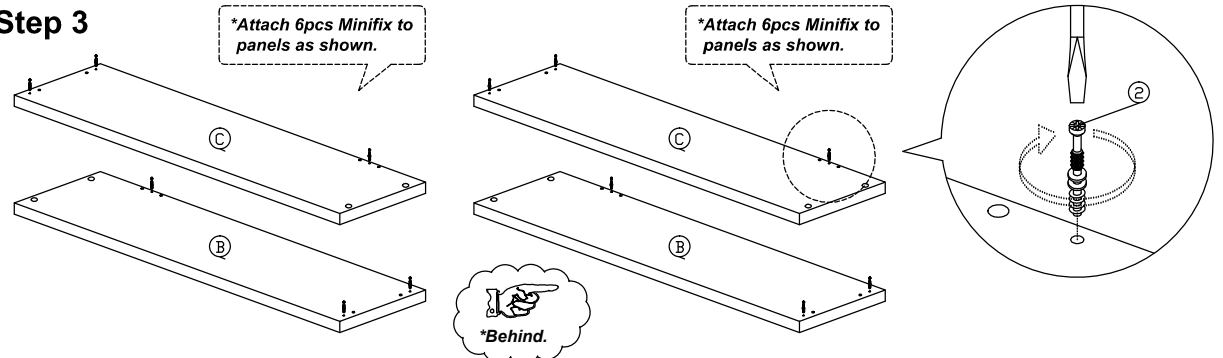


Step 2



\*Attach 6pcs Minifix to panels as shown.

Step 3

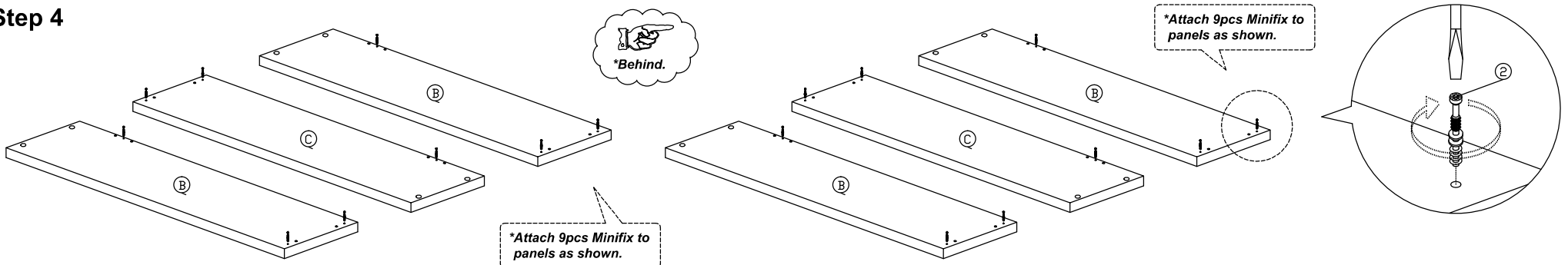


\*Attach 6pcs Minifix to panels as shown.

\*Attach 6pcs Minifix to panels as shown.

\*Behind.

Step 4



\*Attach 9pcs Minifix to panels as shown.

\*Attach 9pcs Minifix to panels as shown.

\*Behind.