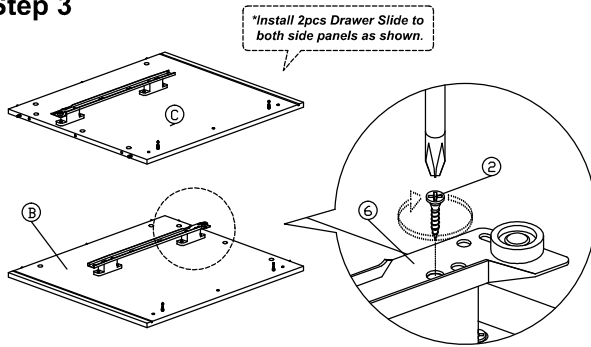
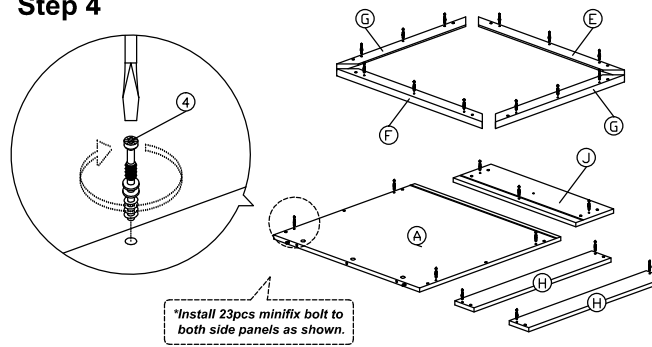


Assembly Instruction

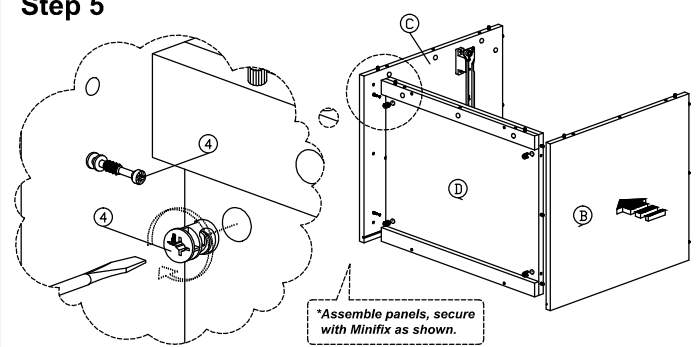
Step 3



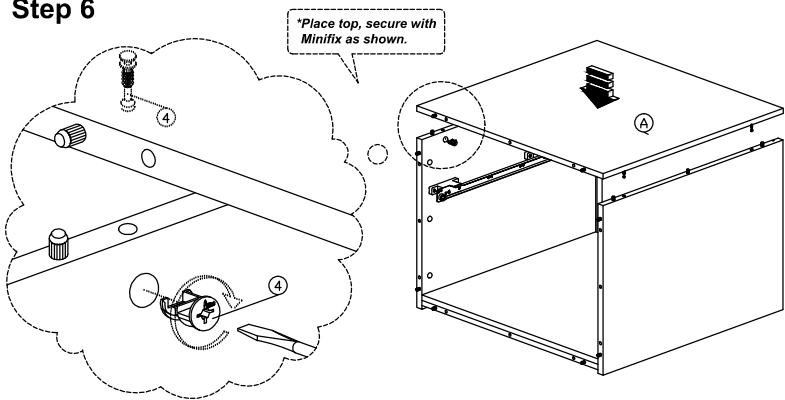
Step 4



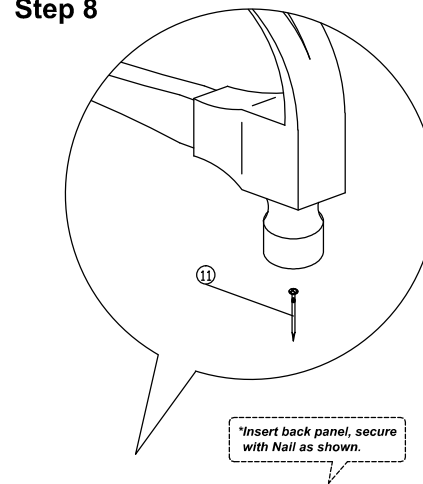
Step 5



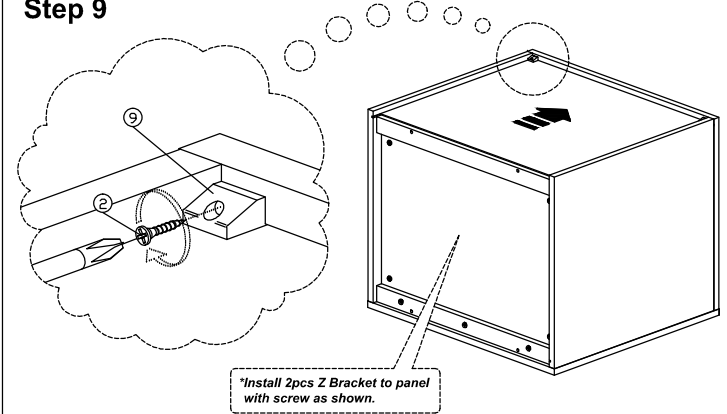
Step 6



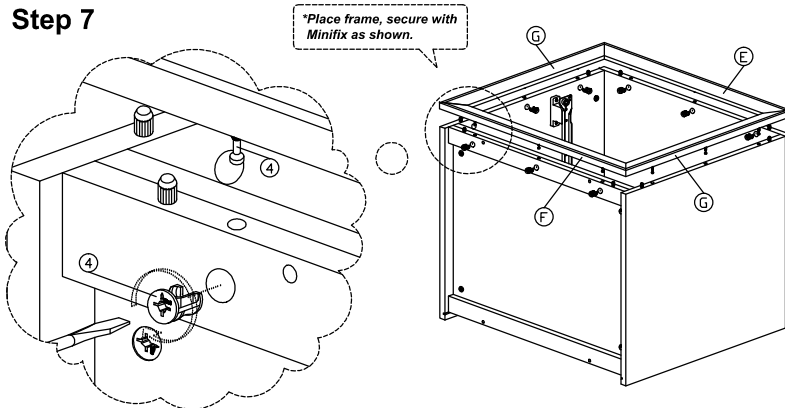
Step 8



Step 9



Step 7



Step 10

