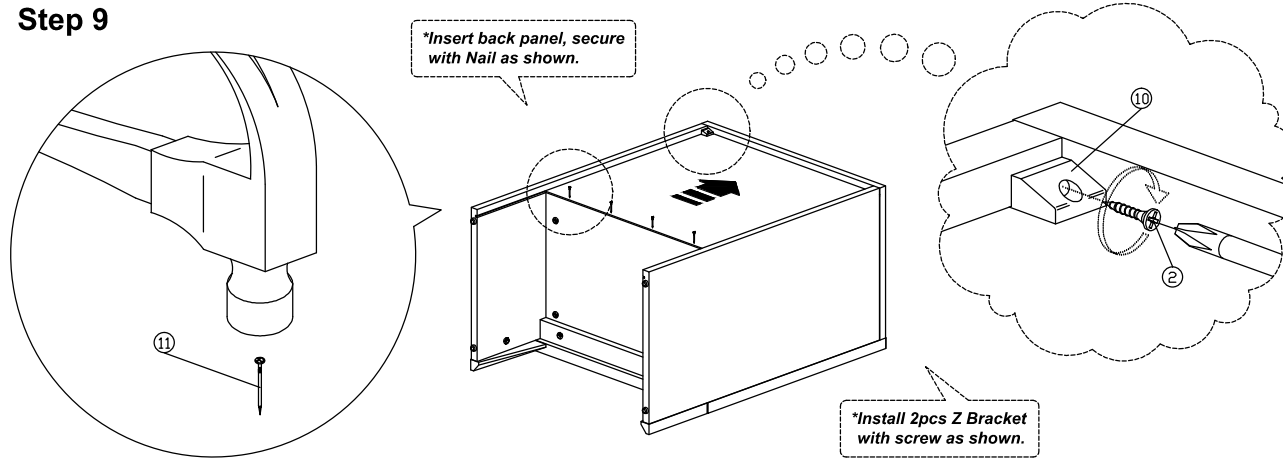
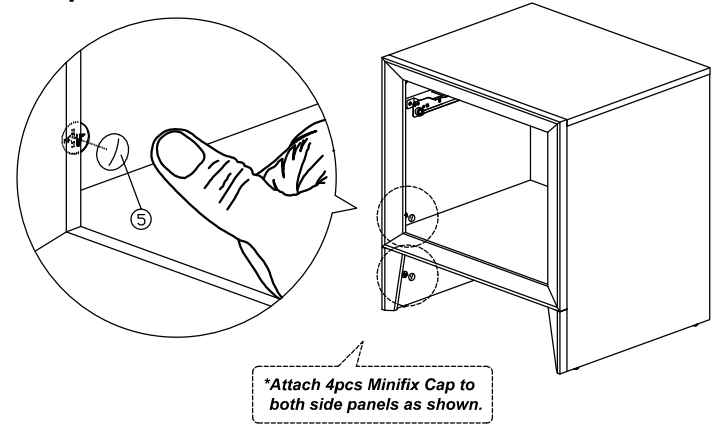


Assembly Instruction

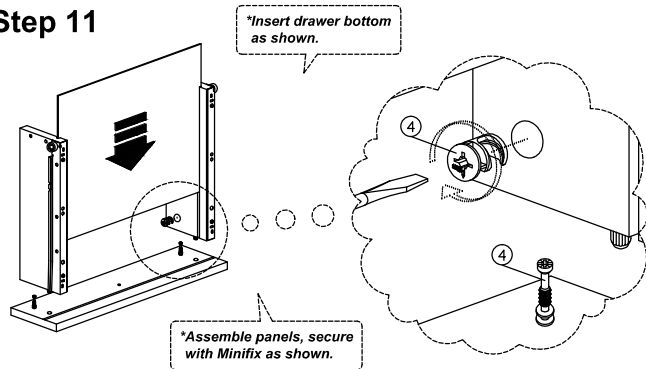
Step 9



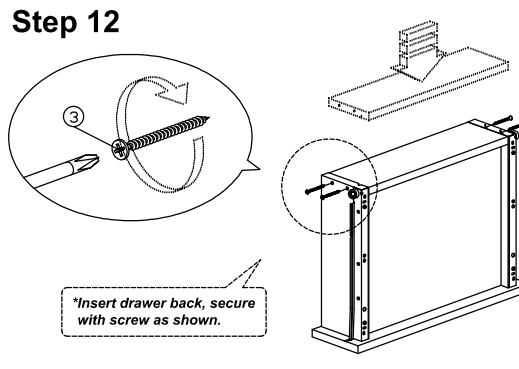
Step 10



Step 11

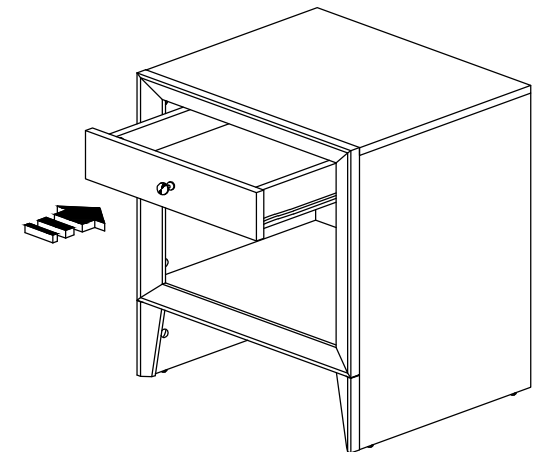


Step 12



Step 12

**Place drawer into cabinet as shown.*



Step 11

