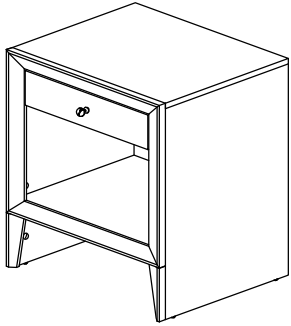


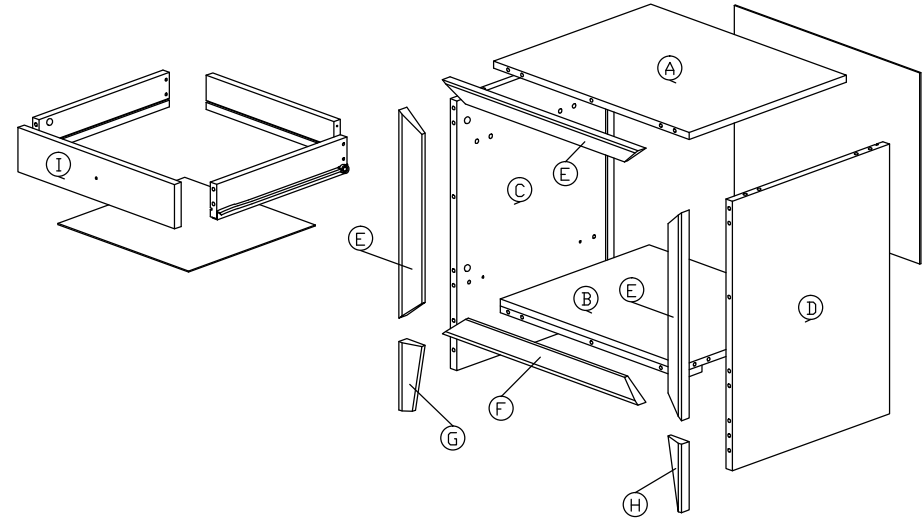
Assembly Instruction

Model : ST - 006

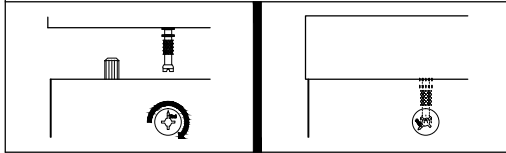


| Hardware List | | | |
|---------------|-------|---|--------|
| No. | SHAPE | DESCRIPTION | Qty. |
| 1 | | 8x25mm Wood Dowel | 26Pcs |
| 2 | | M3.5x16mm Screw | 14Pcs |
| 3 | | M4x38mm Screw | 4Pcs |
| 4 | | 15MM Titus Mini Fix | 20Sets |
| 5 | | 15mm Minifix Cap | 6Pcs |
| 6 | | Drawer Slide 12" (300mm) | 1Set |
| 7 | | PVC Drawer Pin | 4Pcs |
| 8 | | Handle (2293) M4x20mm Handle Screw | 1Sets |
| 9 | | Nail Leg | 4Pcs |
| 10 | | Z Bracket | 2Pcs |
| 11 | | Nail | 4Pcs |

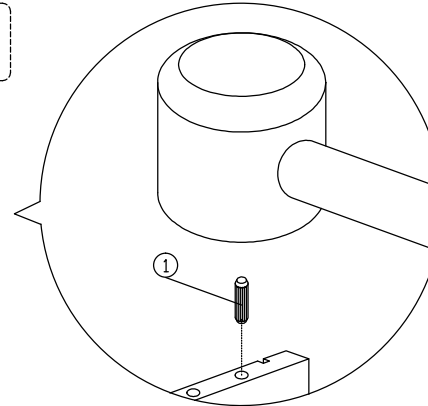
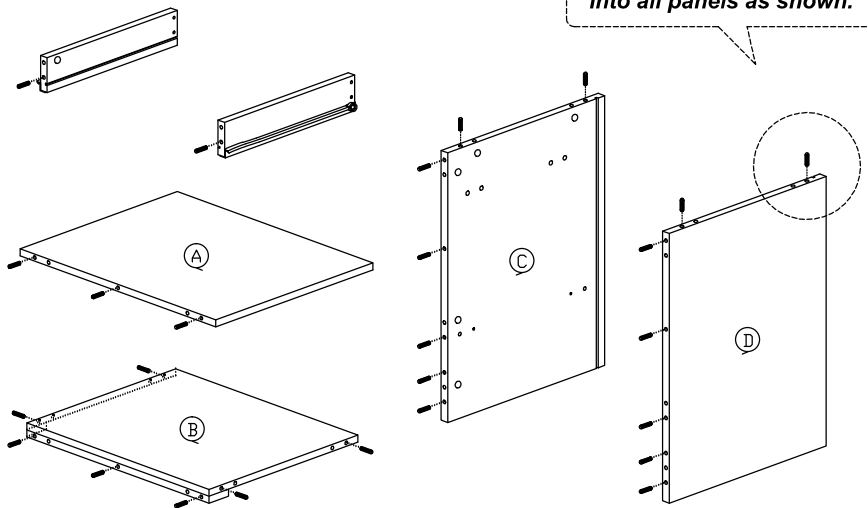
Part List



Dowel / Cam - Lock Installation



Step 1



Step 2

