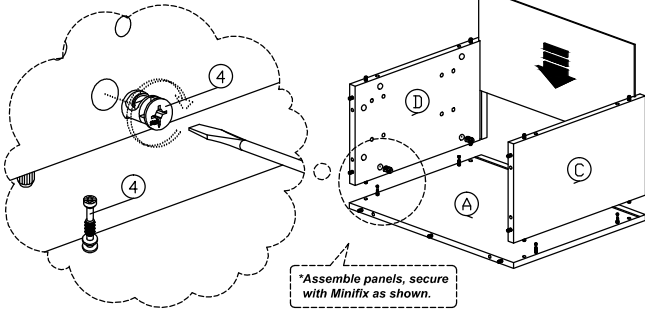


# Assembly Instruction

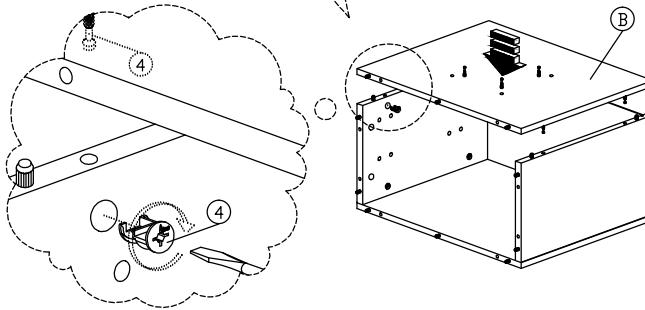
## Step 3

\*Insert back panel as shown below.

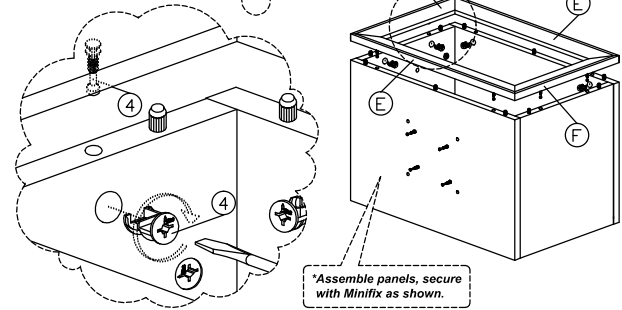


## Step 4

\*Place top, secure with Minifix as shown.

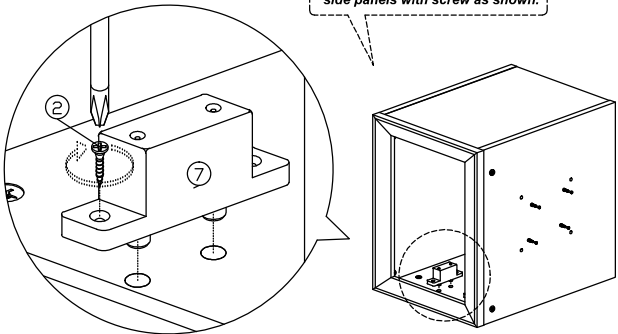


## Step 5



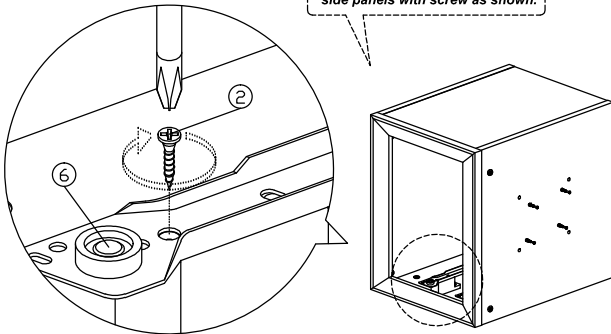
## Step 6

\*Install 8pcs Drawer Pin to both side panels with screw as shown.



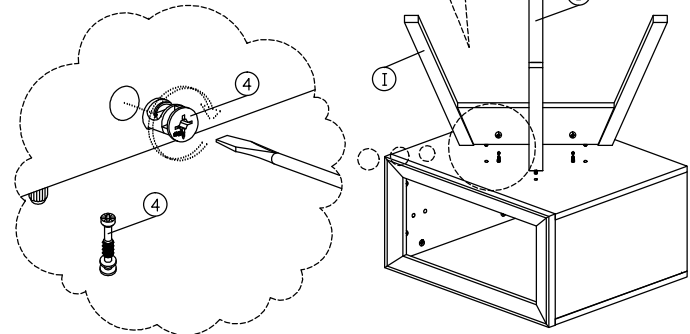
## Step 7

\*Install 4pcs Drawer Slide to both side panels with screw as shown.



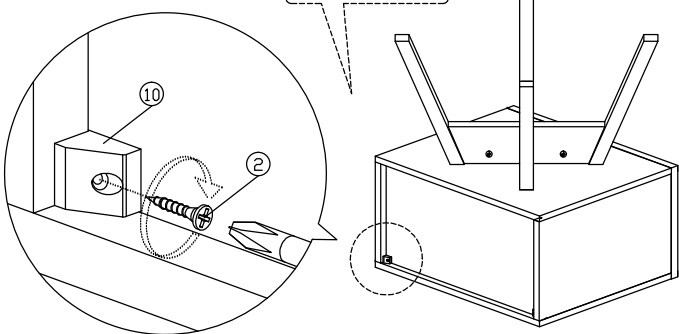
## Step 8

\*Assemble panels, secure with Minifix as shown.



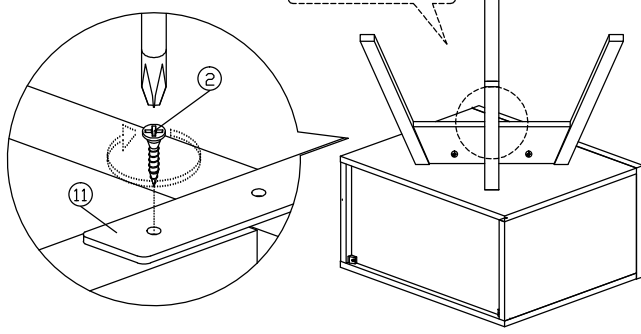
## Step 9

\*Install 2pcs Z Bracket with screw as shown.



## Step 10

\*Install Metal Plate with screw as shown.



## Step 11

\*Attach 4pcs Nail Leg to panels as shown.

