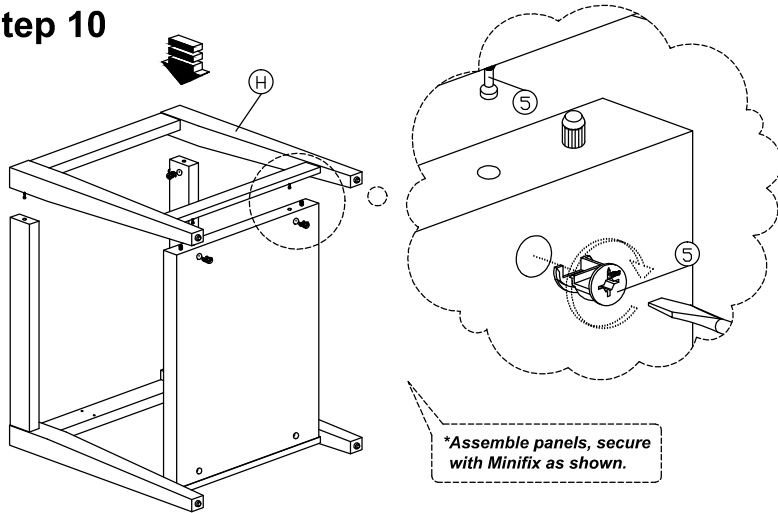
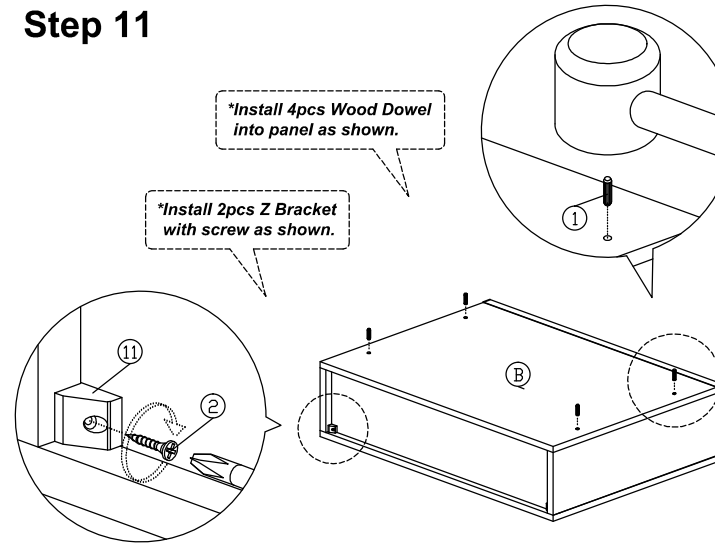


Assembly Instruction

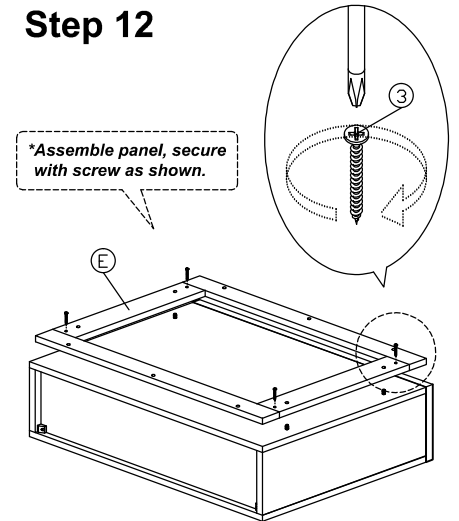
Step 10



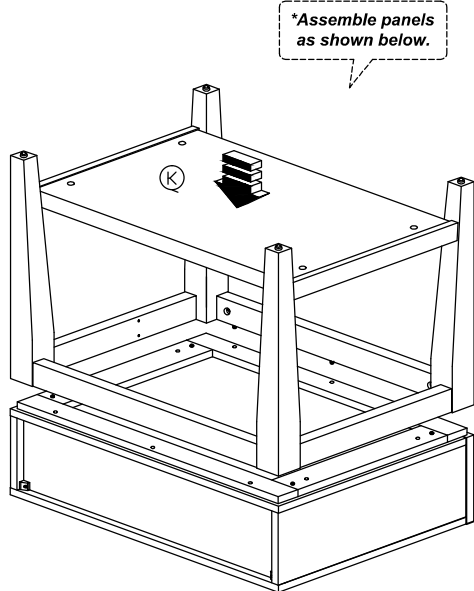
Step 11



Step 12



Step 13



Step 14

