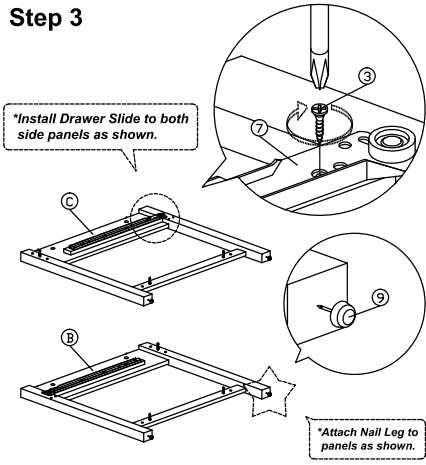
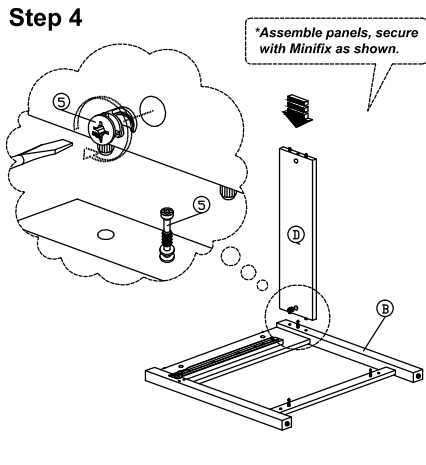


Assembly Instruction

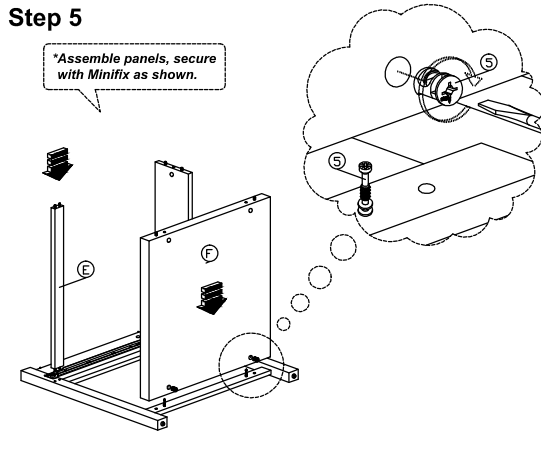
Step 3



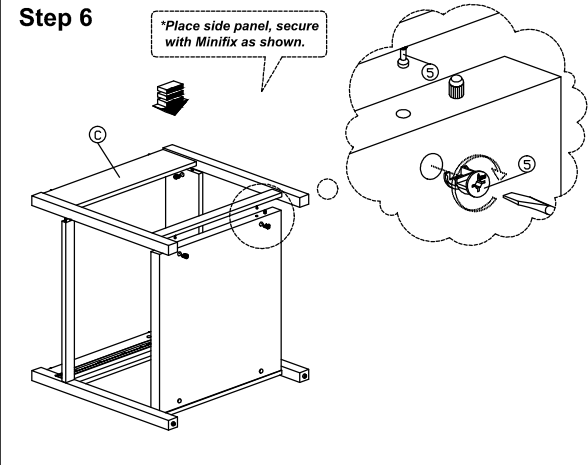
Step 4



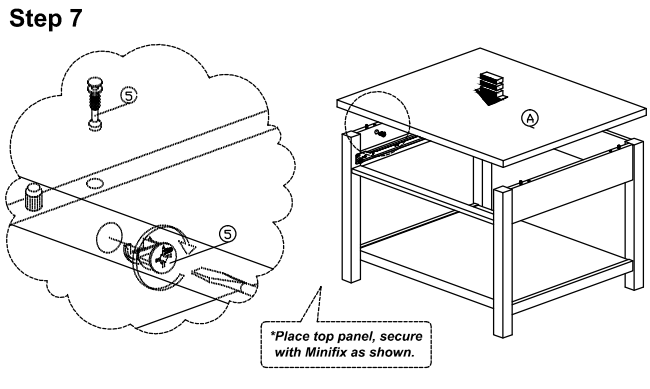
Step 5



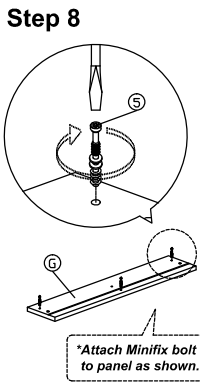
Step 6



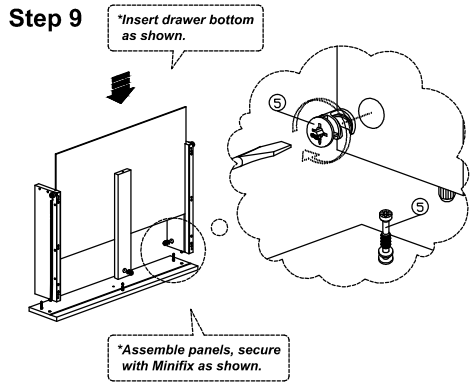
Step 7



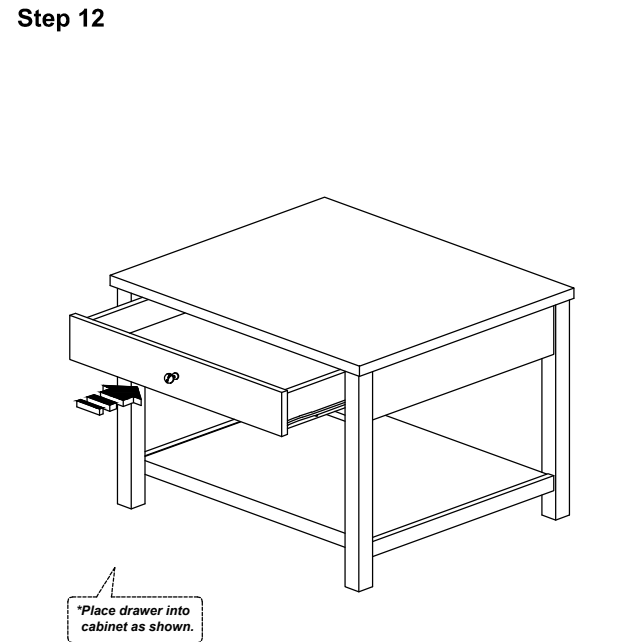
Step 8



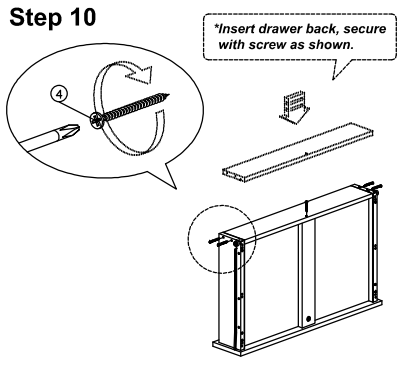
Step 9



Step 12



Step 10



Step 11

