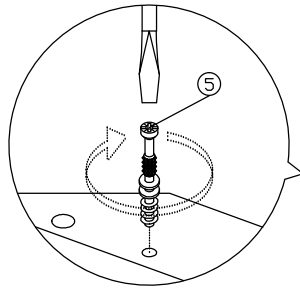
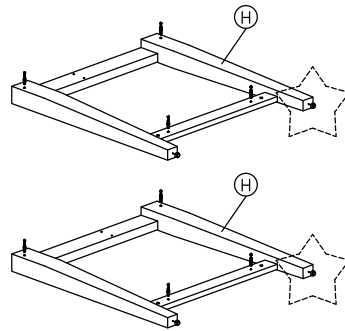
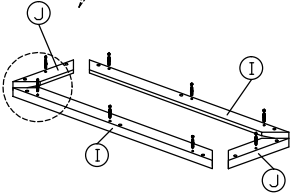


Assembly Instruction

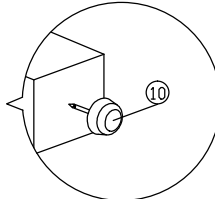
Step 3



*Attach 16pcs Minifix bolt to panels as shown.

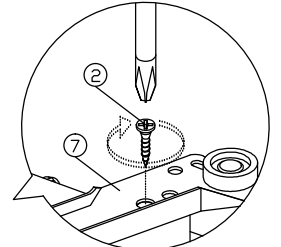
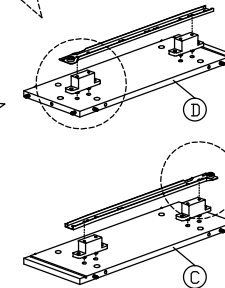
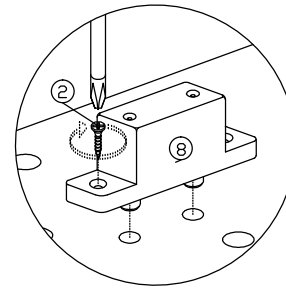


*Attach 4pcs Nail Leg to both side panels as shown.



Step 4

*Install 4pcs Drawer Pin to both side panels with screw as shown.

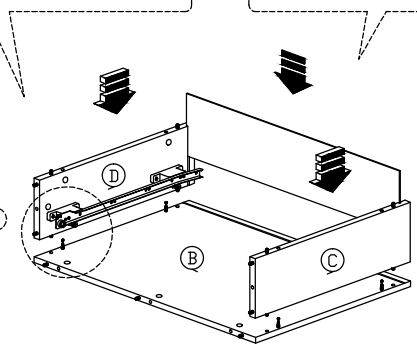
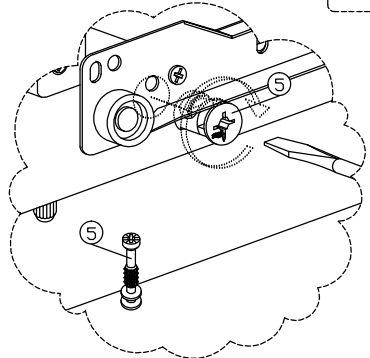


*Install Drawer Slide to both side panels as shown.

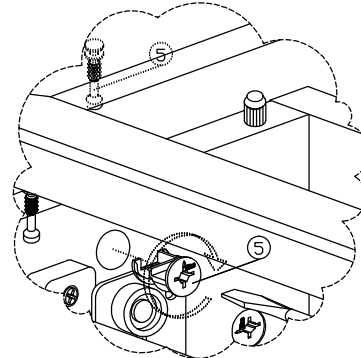
Step 5

*Assemble panels, secure with Minifix as shown.

*Insert back panel as shown below.

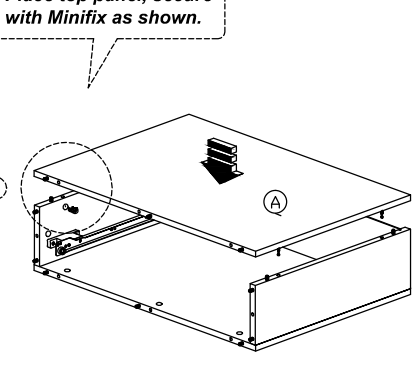
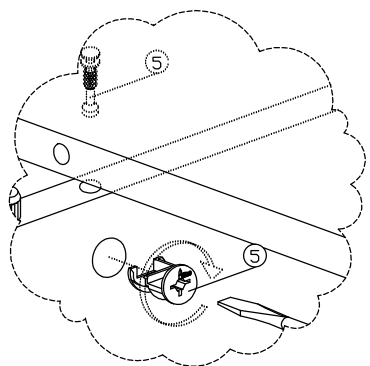


Step 7

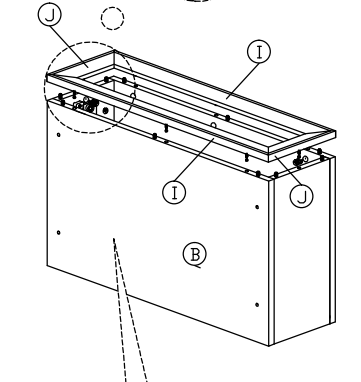


Step 6

*Place top panel, secure with Minifix as shown.

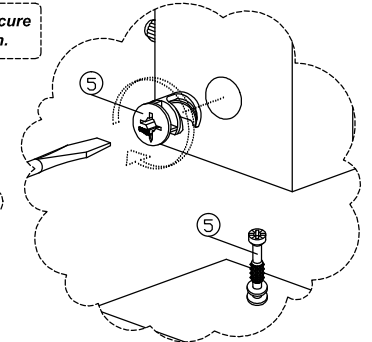
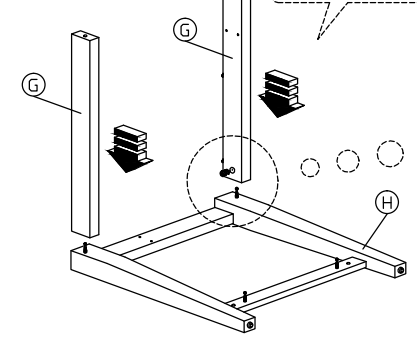


*Place frame, secure with Minifix as shown.



Step 8

*Assemble panels, secure with Minifix as shown.



Step 9

*Assemble panels, secure with Minifix as shown.

