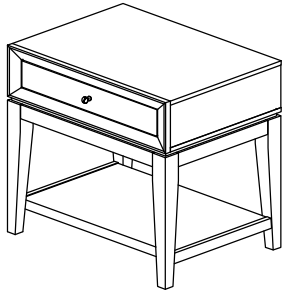
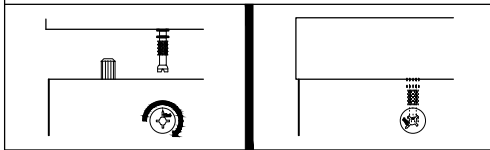


Assembly Instruction

Model : ST - 003



Dowel / Cam - Lock Installation

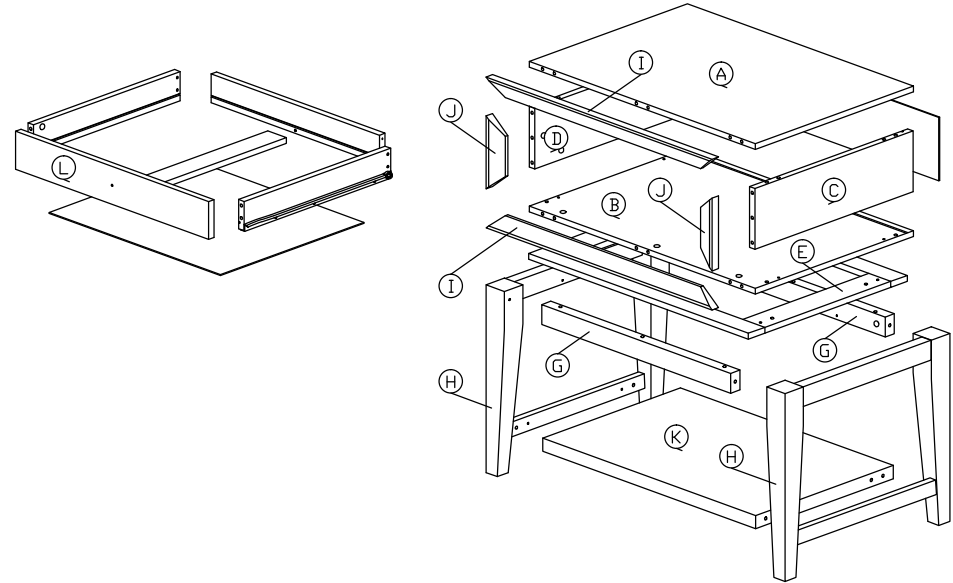


Hardware List

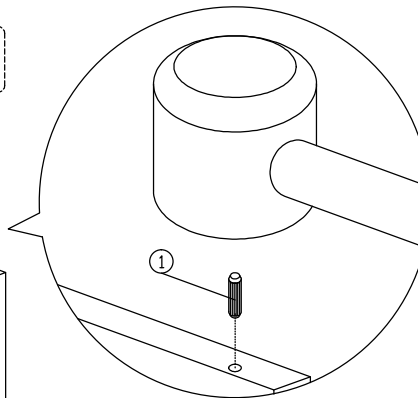
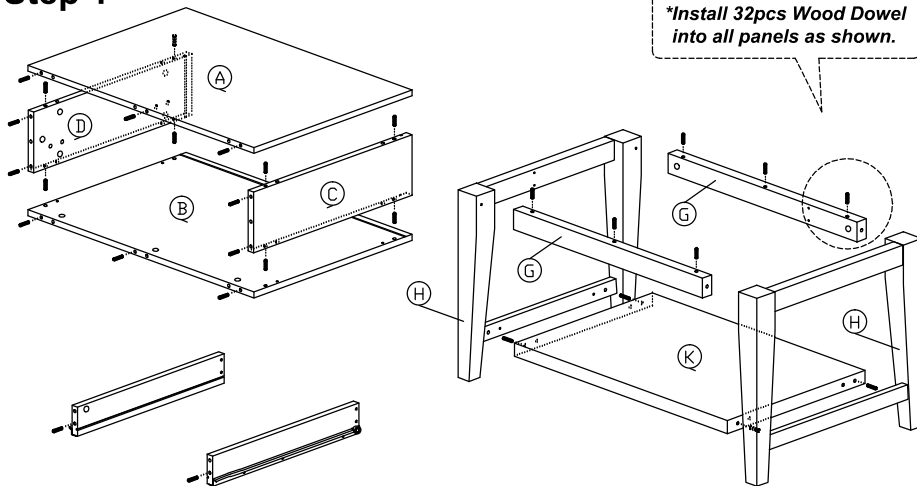
No.	SHAPE	DESCRIPTION	Qty.
-----	-------	-------------	------

1		8x25mm Wood Dowel	34Pcs
2		M3.5x16mm Screw	26Pcs
3		M4x30mm Screw	4Pcs
4		M4x38mm Screw	5Pcs
5		15MM Titus Mini Fix	27Sets
6		15mm Minifix Cap	2Pcs
7		Drawer Slide 16" (400mm)	1Set
8		PVC Drawer Pin	4Pcs
9		Handle (2293) M4x20mm Handle Screw	1Sets
10		Nail Leg	4Pcs
11		Z Bracket	2Pcs
12		L Bracket	6Pcs
13		Retangular Bed Bracket	2Pcs
14		TP 10#x5/8" Screw	8Pcs

Part List



Step 1



Step 2

