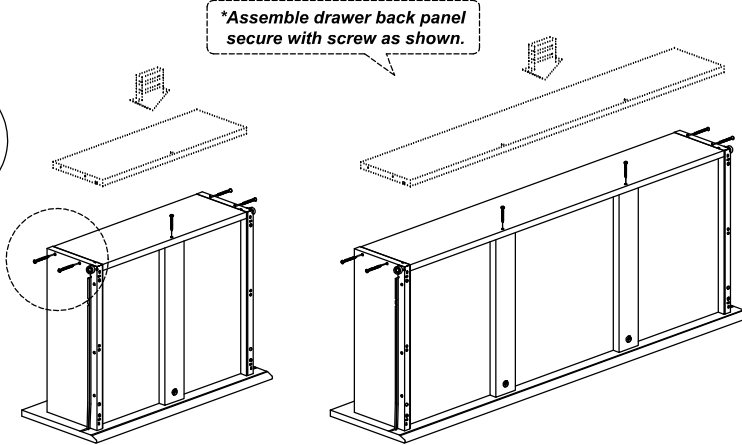
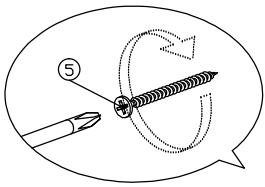


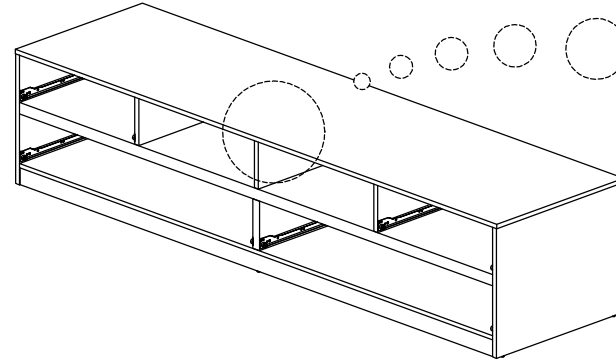
# Assembly Instruction

## Step 16



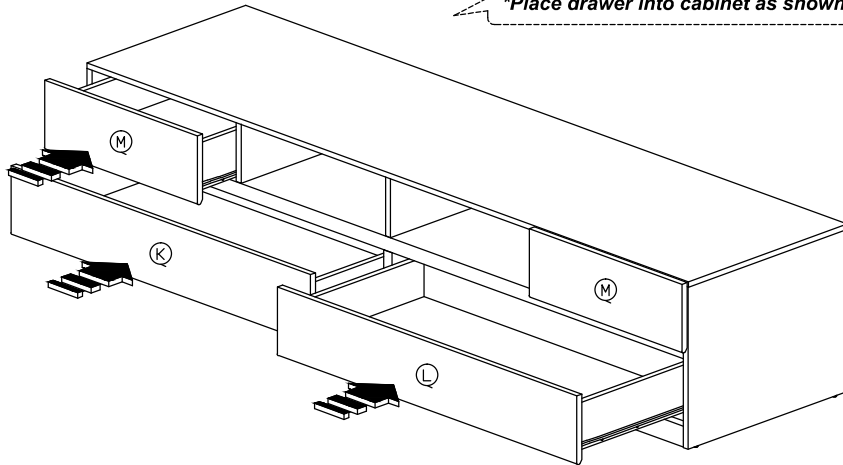
## Step 17

*\*Attach 2pcs Minifix Cap to Minifix hole as shown.*



## Step 18

*\*Place drawer into cabinet as shown.*



## Complete

