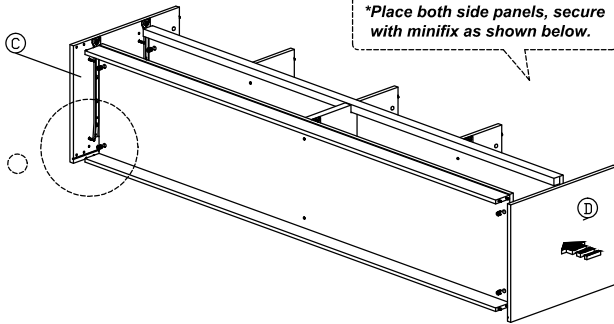
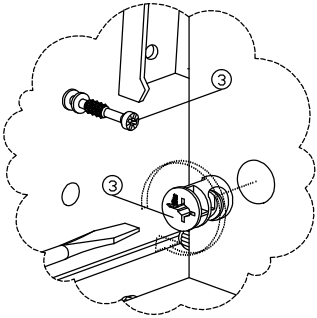
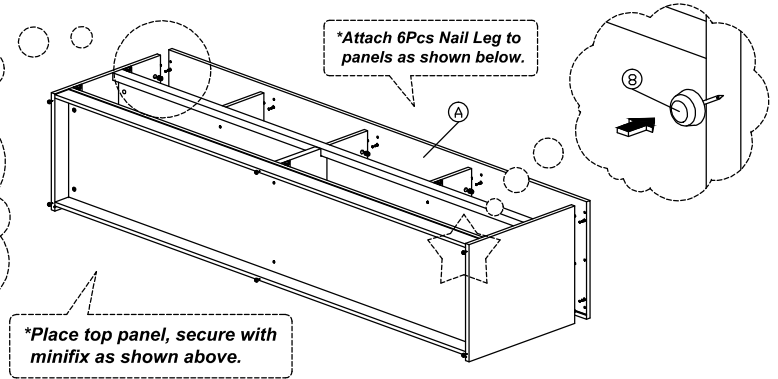
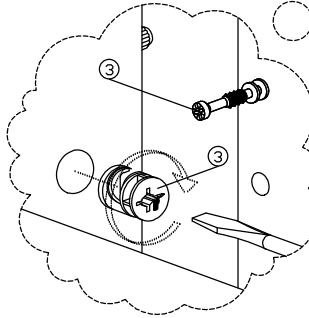


Assembly Instruction

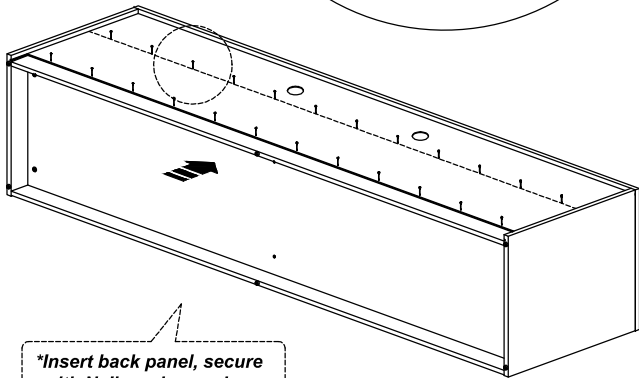
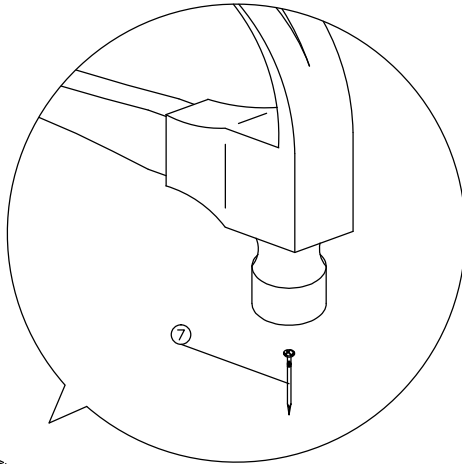
Step 11



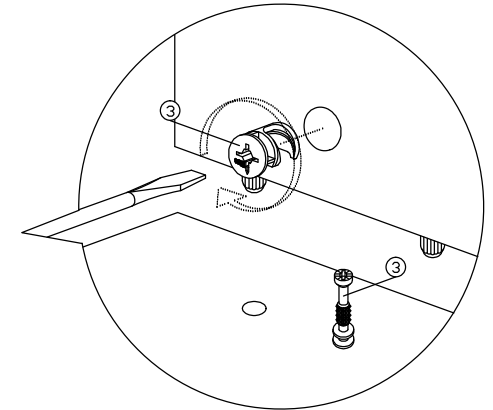
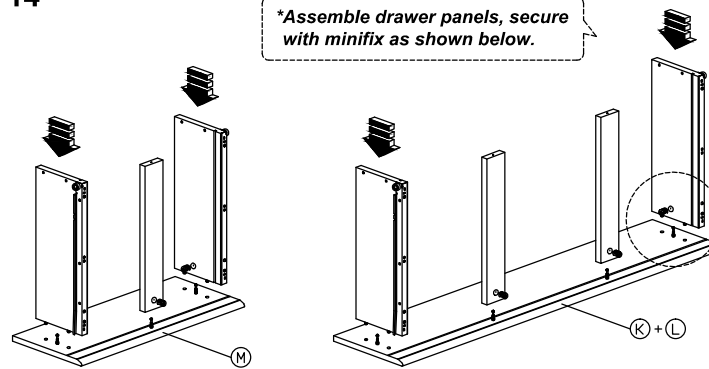
Step 12



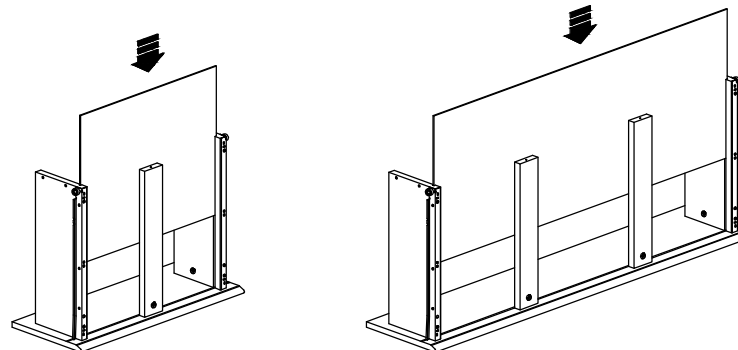
Step 13



Step 14



Step 15



**Insert drawer bottom as shown.*