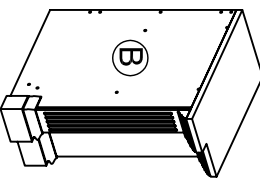
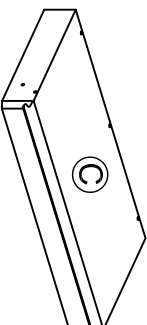


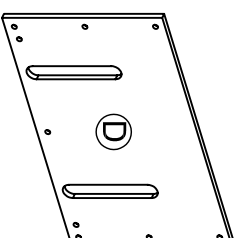
Left Side Frame



Right Side Frame



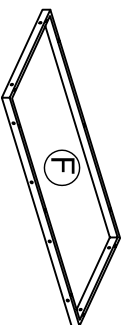
Bottom



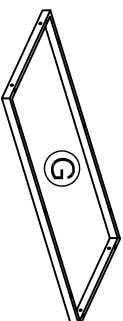
Back Panel



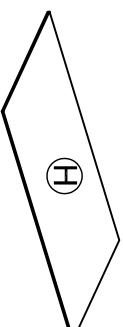
Front Rail



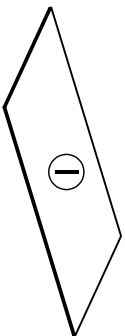
Top Steel Frame



Shelf Steel Frame



Glass Top

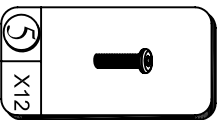
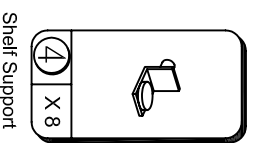
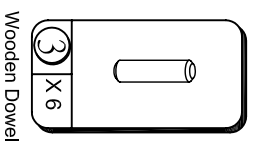
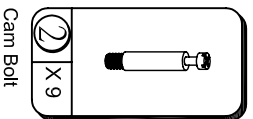
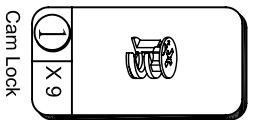
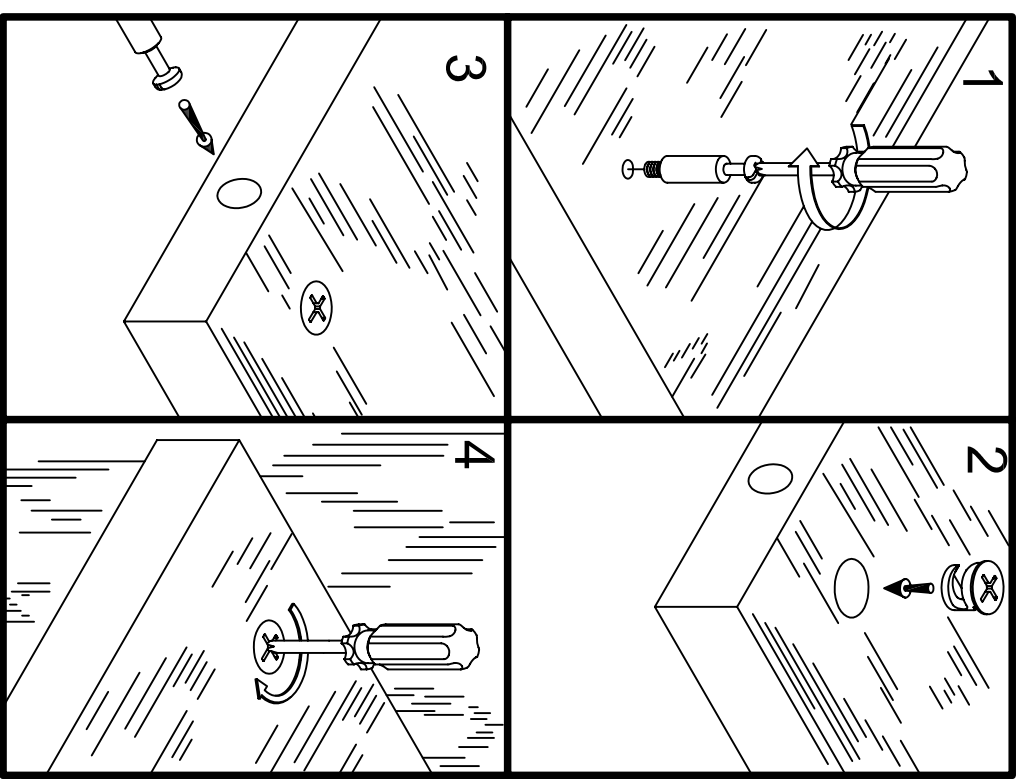


Glass Shelf

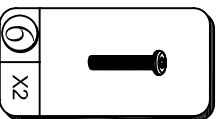


2 Adjustable Shelf

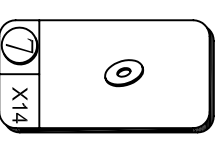
This illustration shows how the CAM fastening system works.



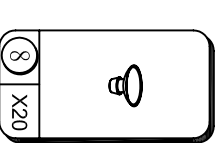
1" Pan Head Screw



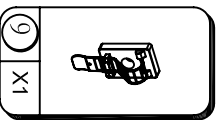
1-1/2" Pan Head Screw



Washer



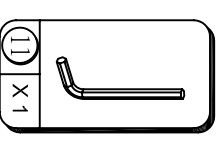
Glass Support



Wire Clip

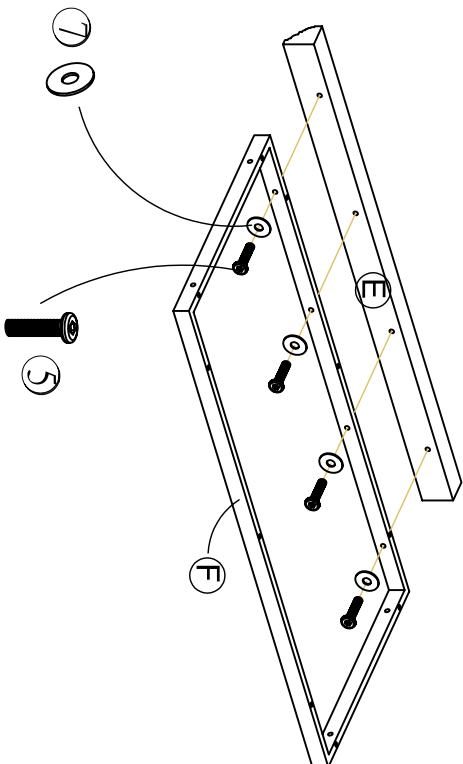
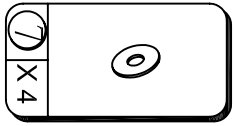
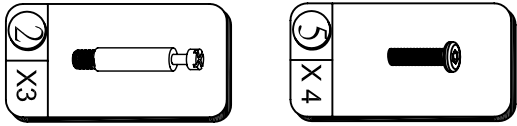
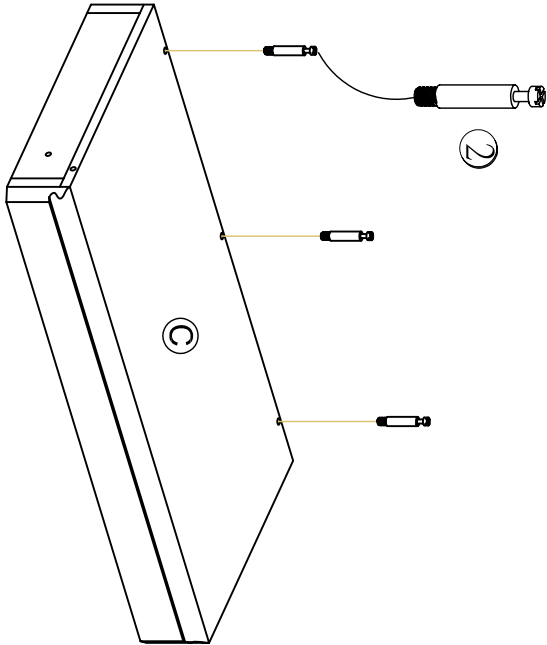


Leveling Glide

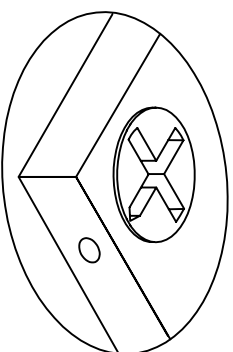
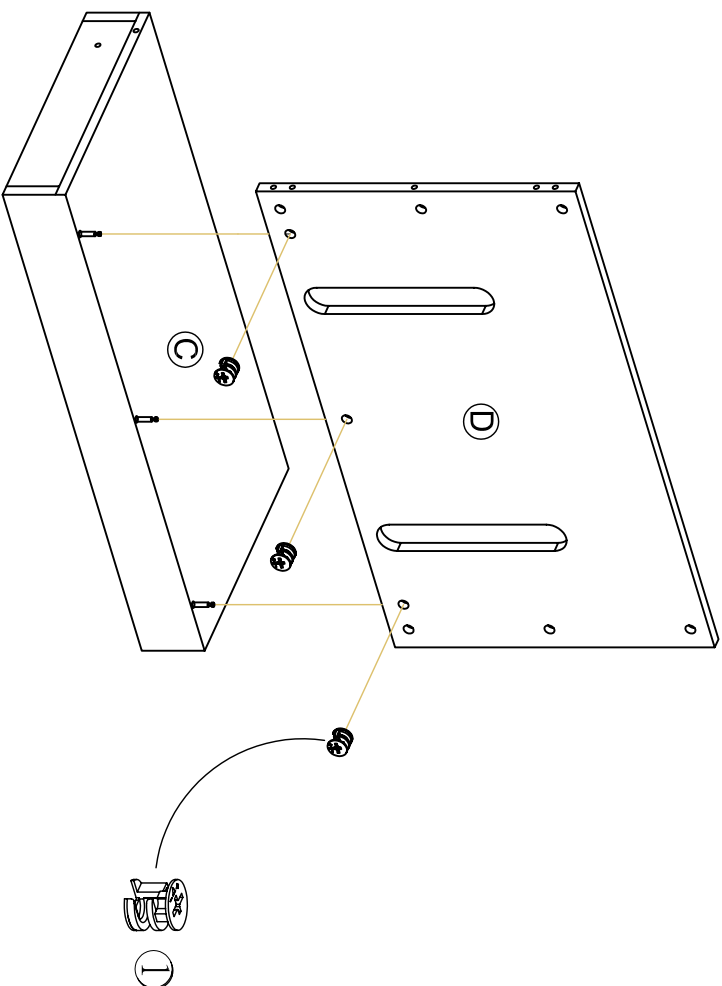


Hex Key

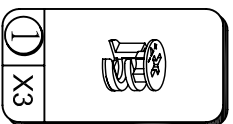
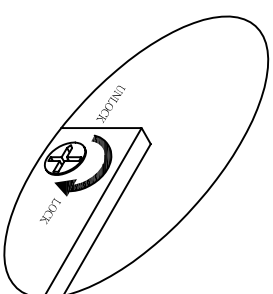
1

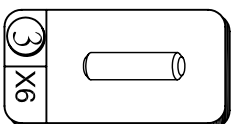
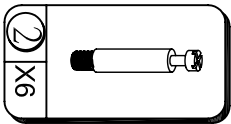
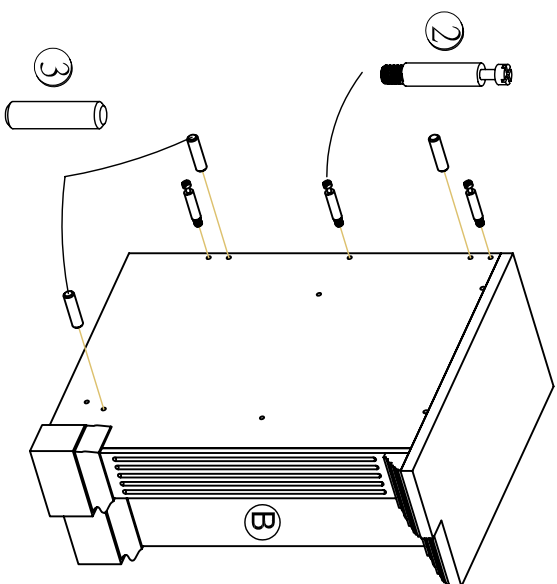
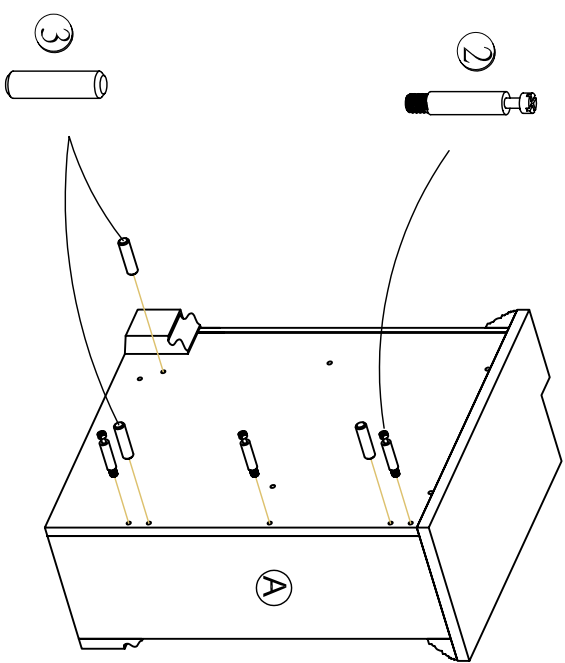


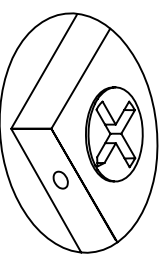
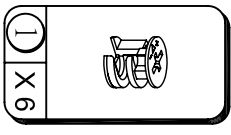
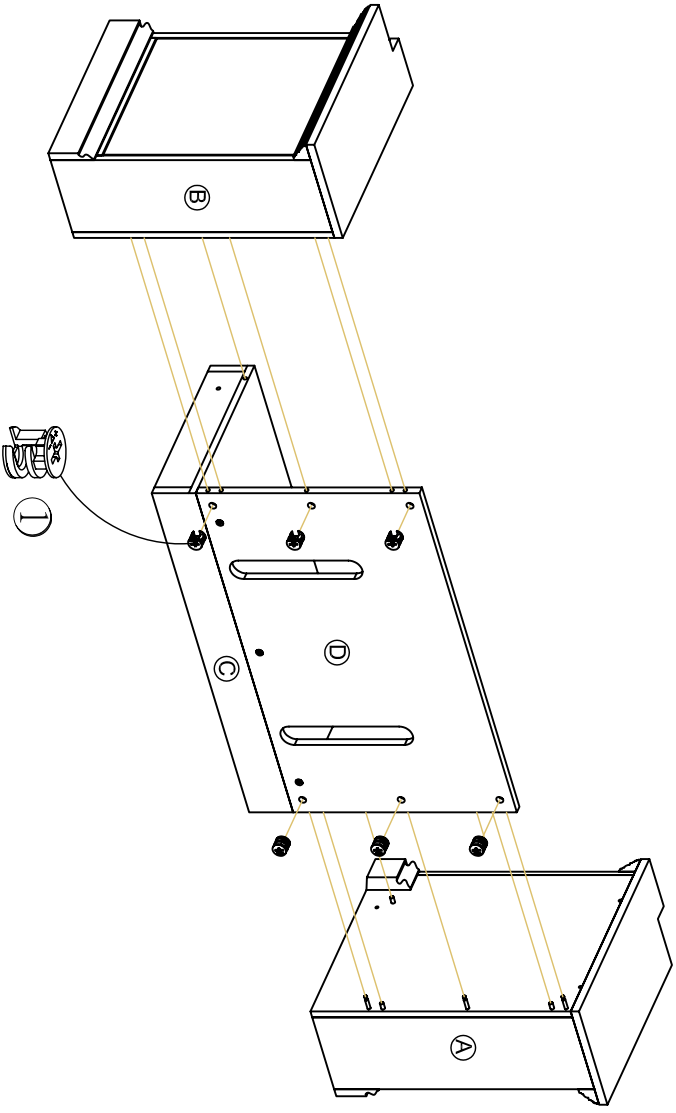
2



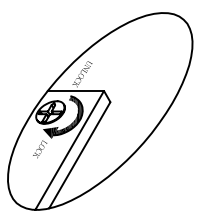
Proper orientation of CAM LOCK

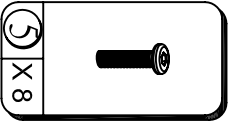
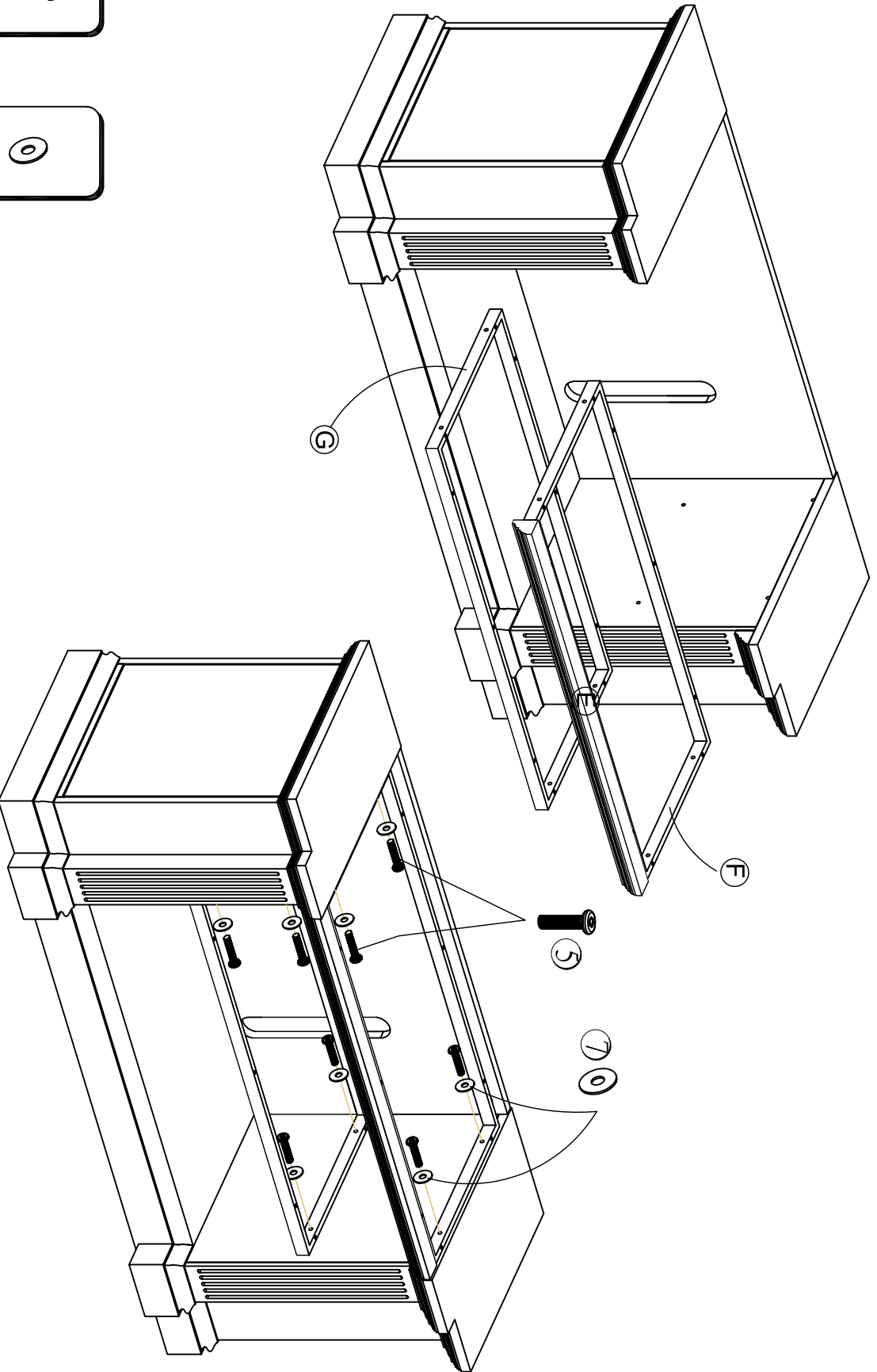




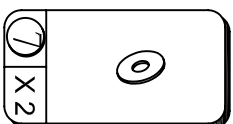
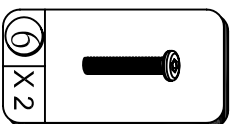
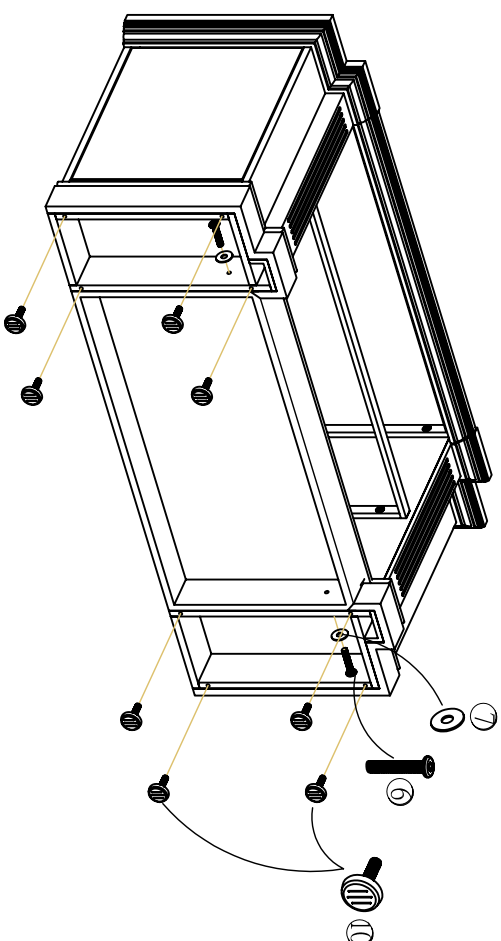


Proper orientation of CAM LOCK

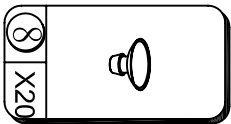
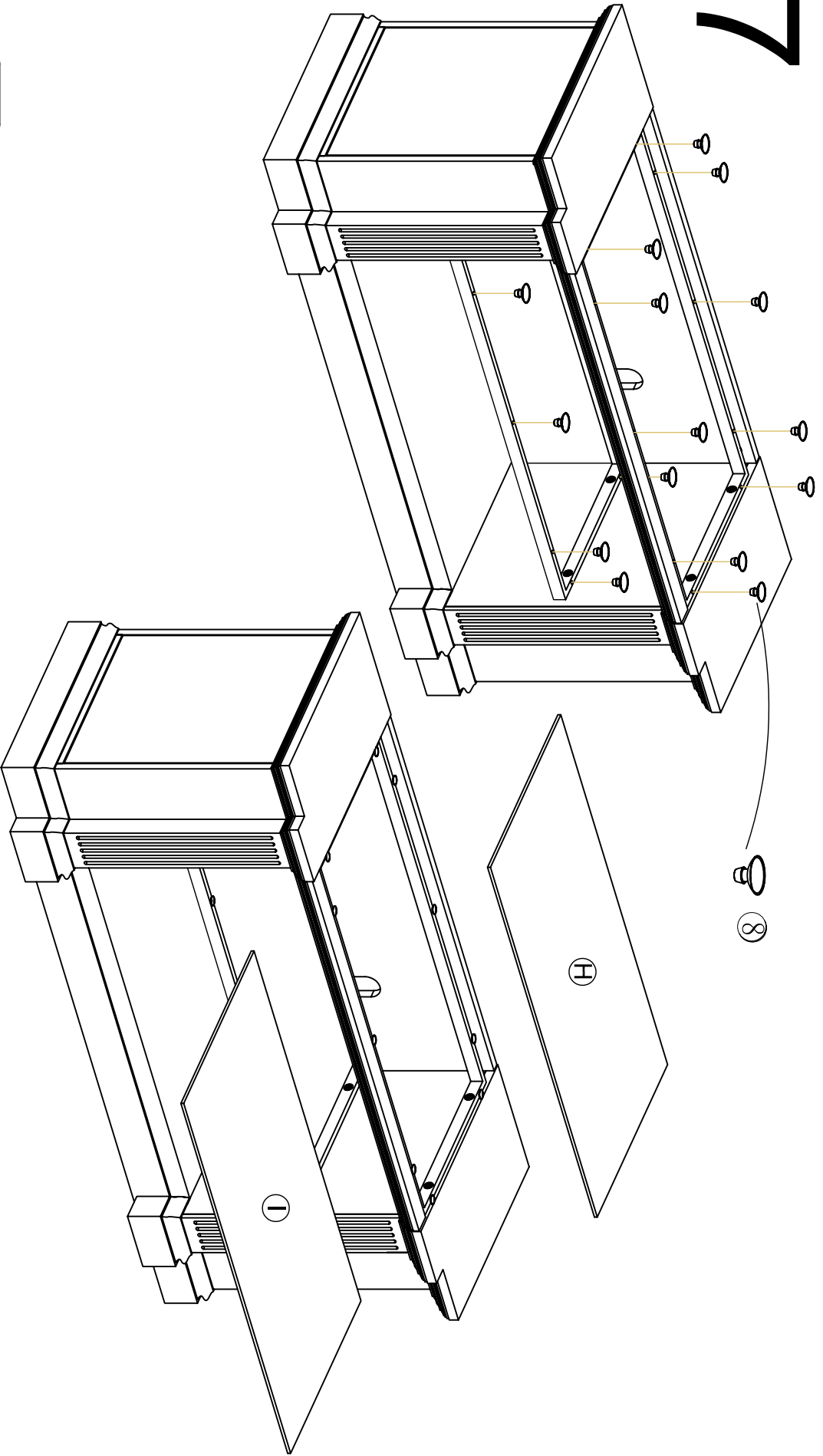


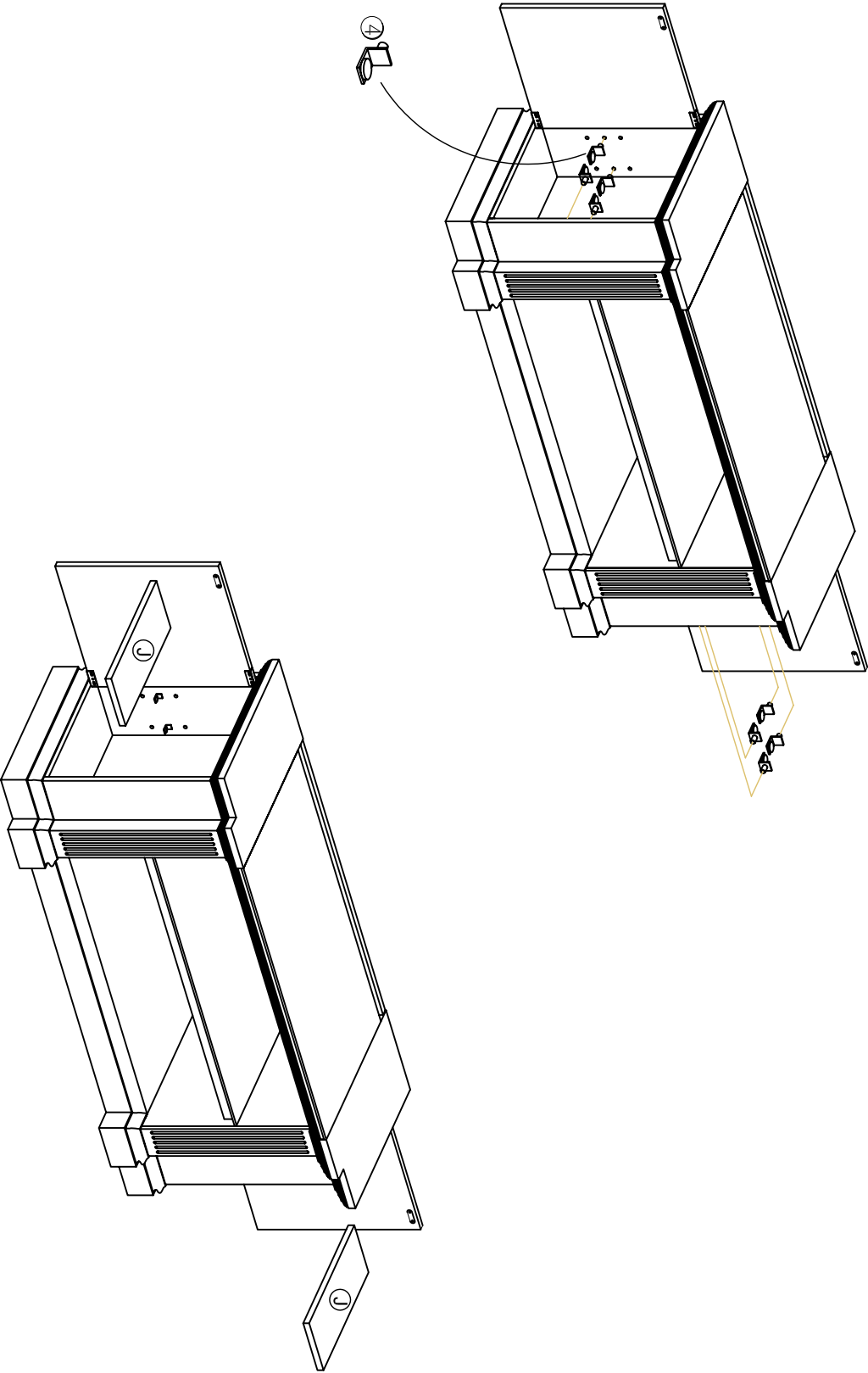
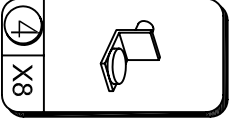


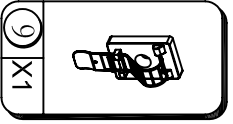
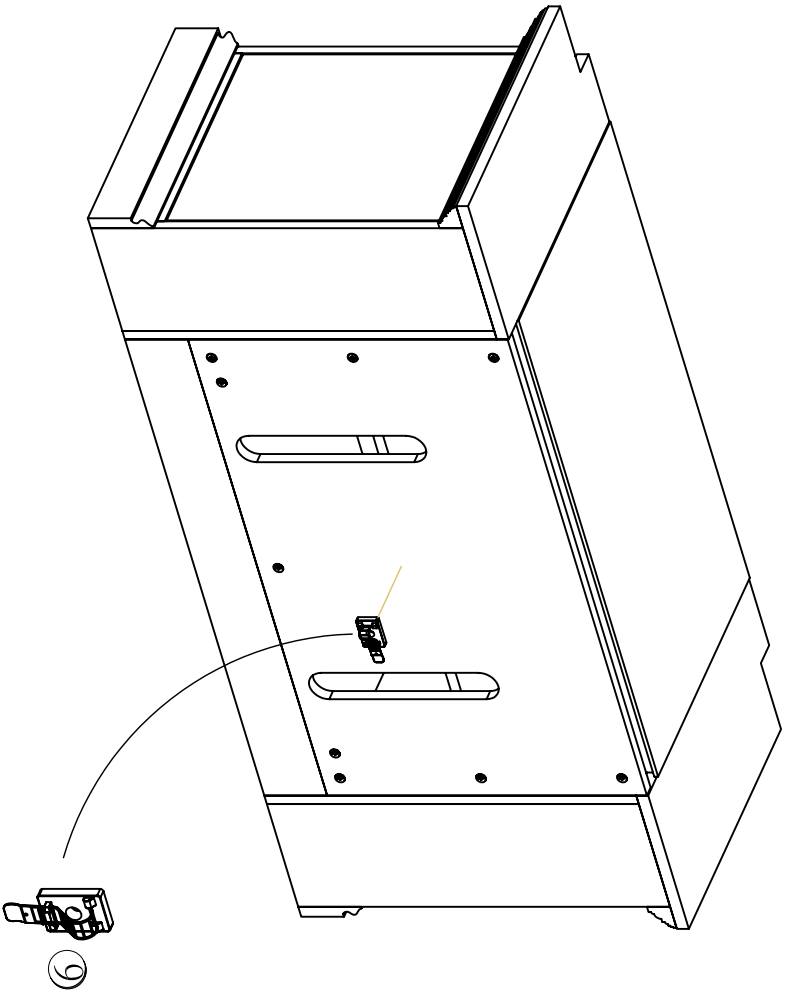
6



7







10

