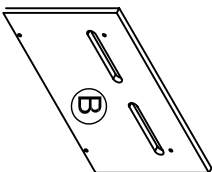


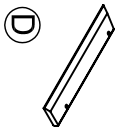
Top Board



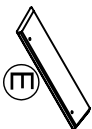
Back Board



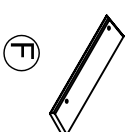
Left Side Leg



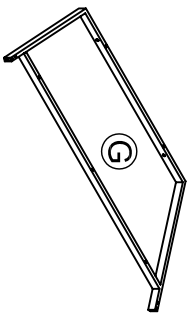
Right Side Leg



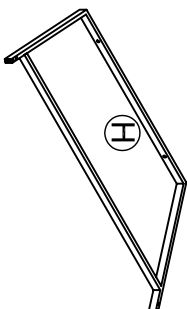
Left Front Leg



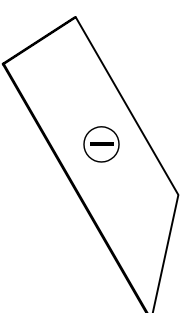
Right Front Leg



Top Steel Frame

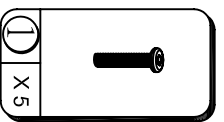
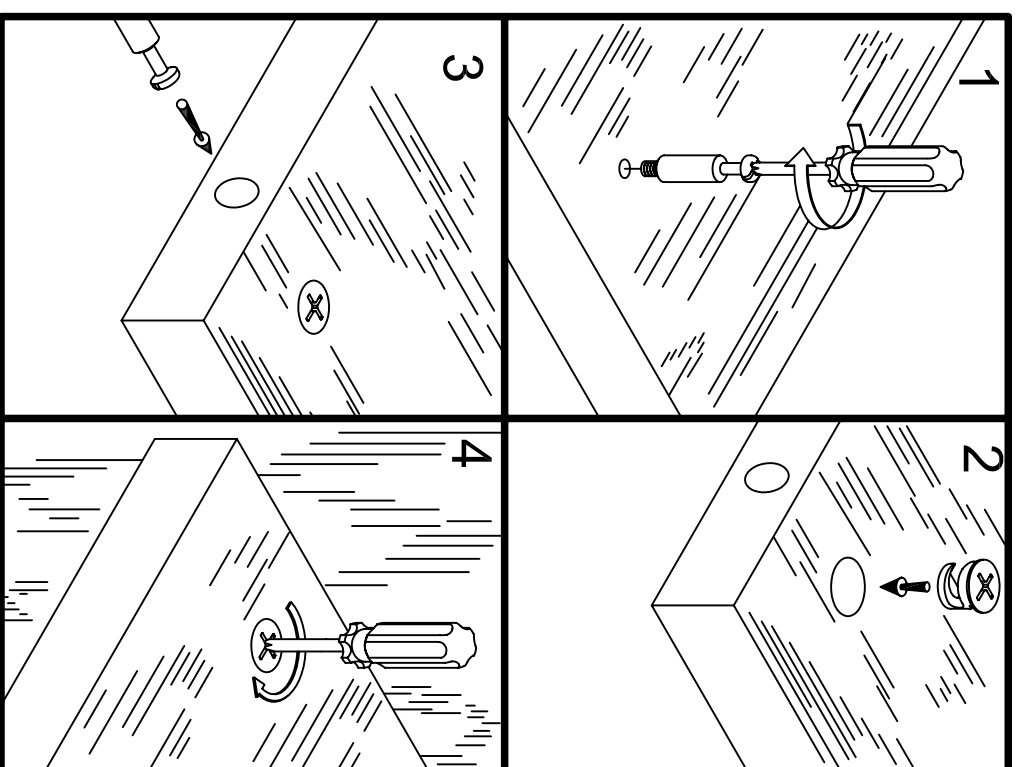


Shelf Metal Frame

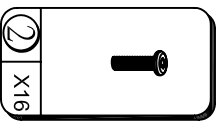


Glass Shelf

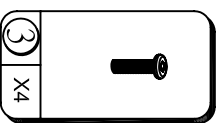
This illustration shows how the CAM fastening system works.



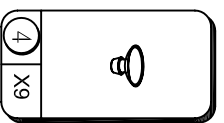
1-1/2" Pan Head Screw



19/32" Pan Head Screw



1" Pan Head Screw



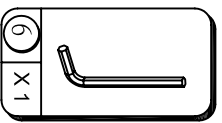
Glass Support



Metal Support

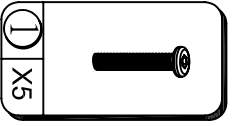
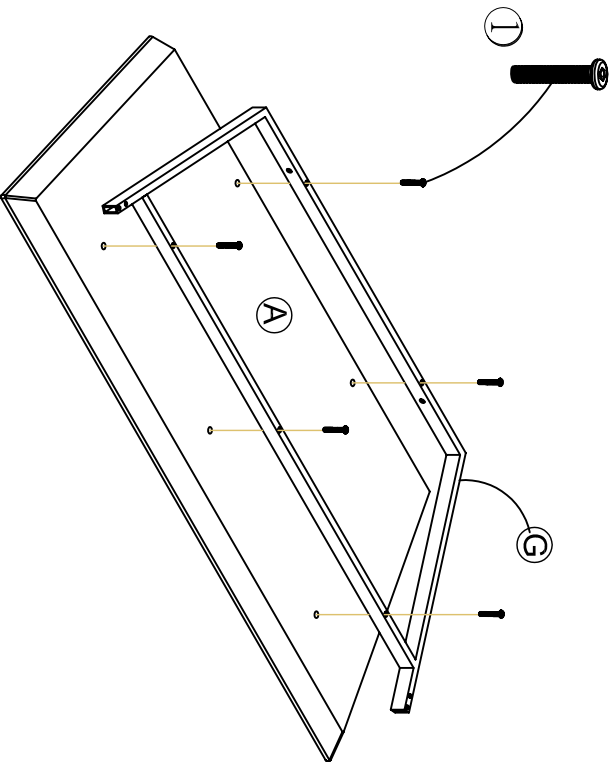


Metal Support

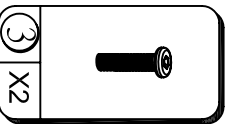
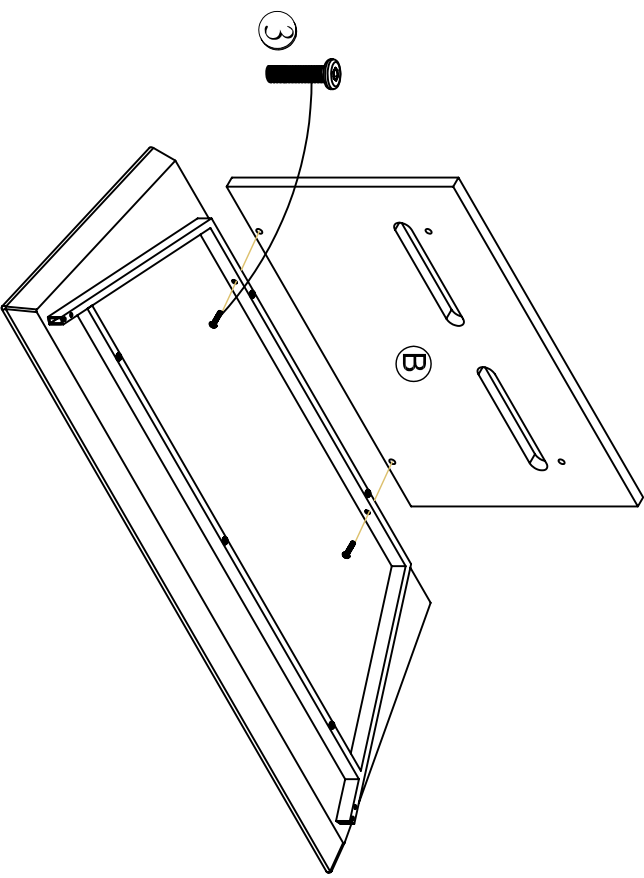


Hex Key

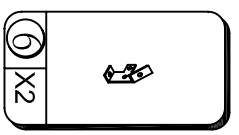
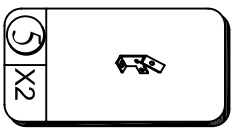
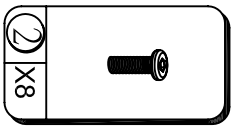
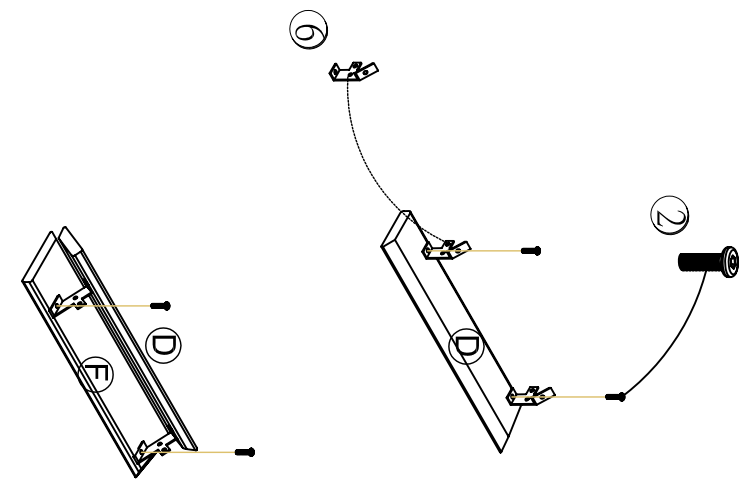
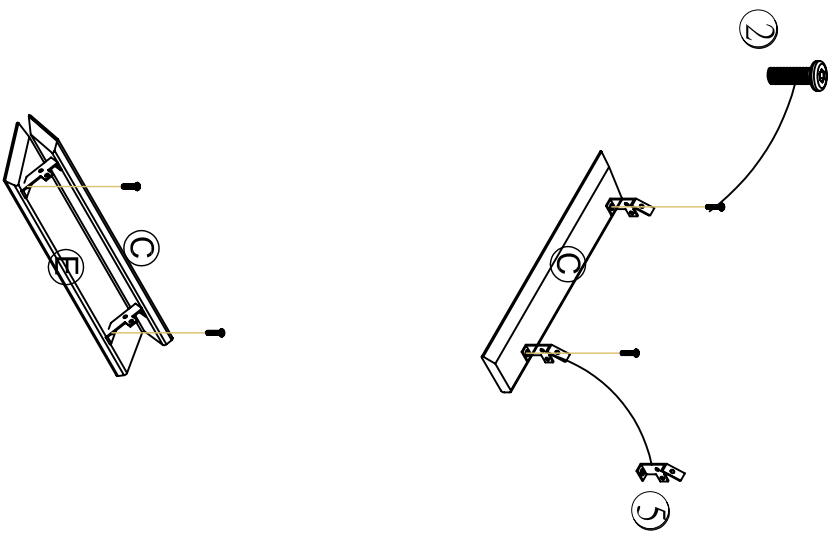
1



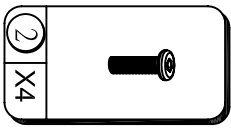
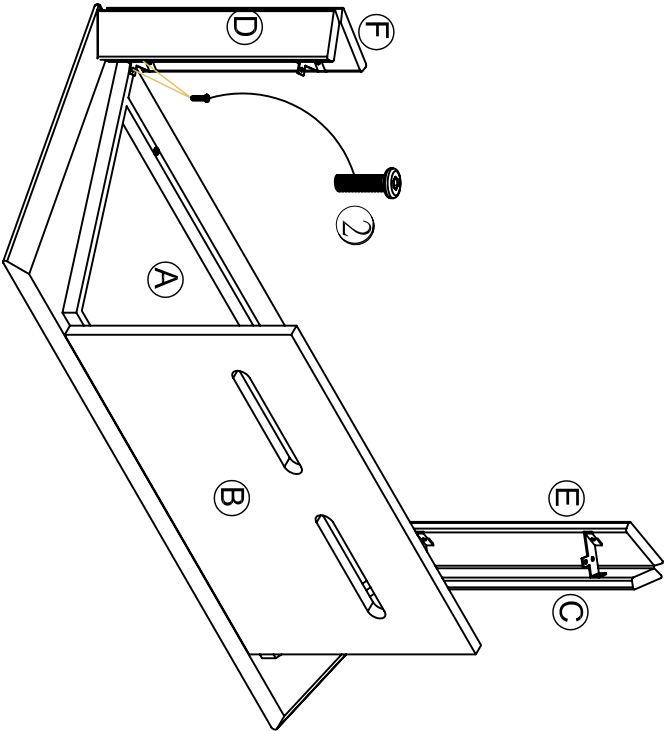
2



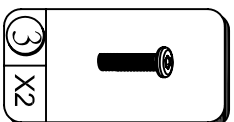
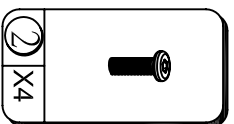
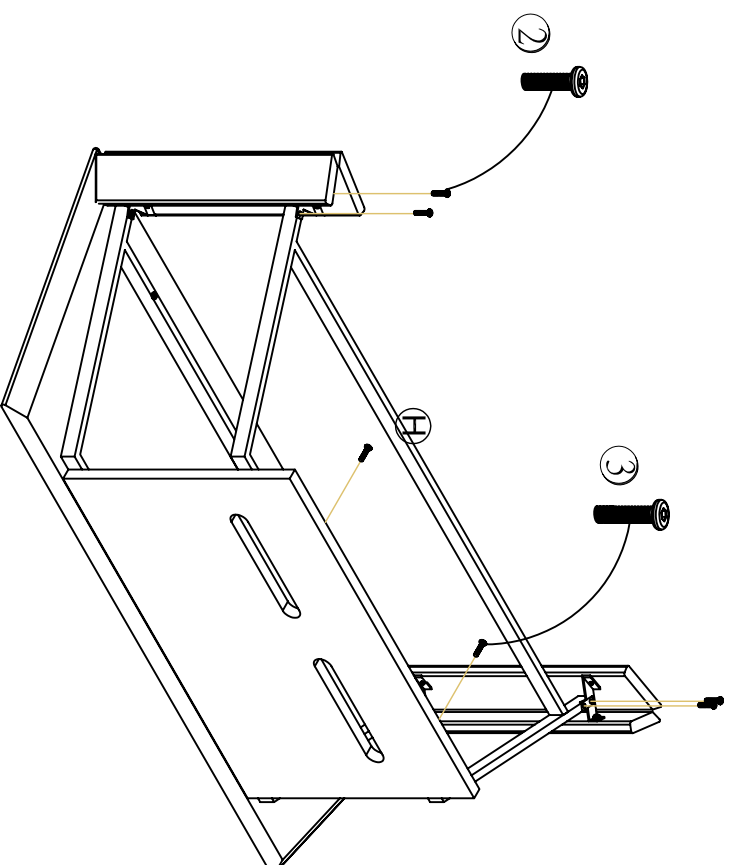
3



4



5



6

