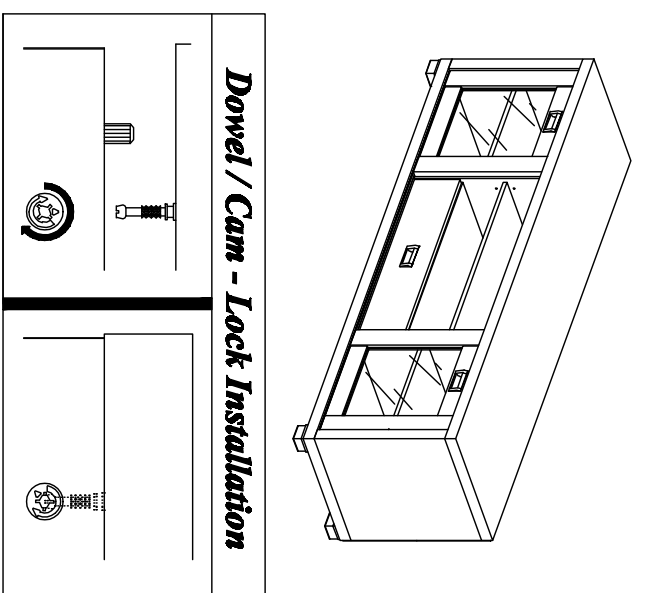


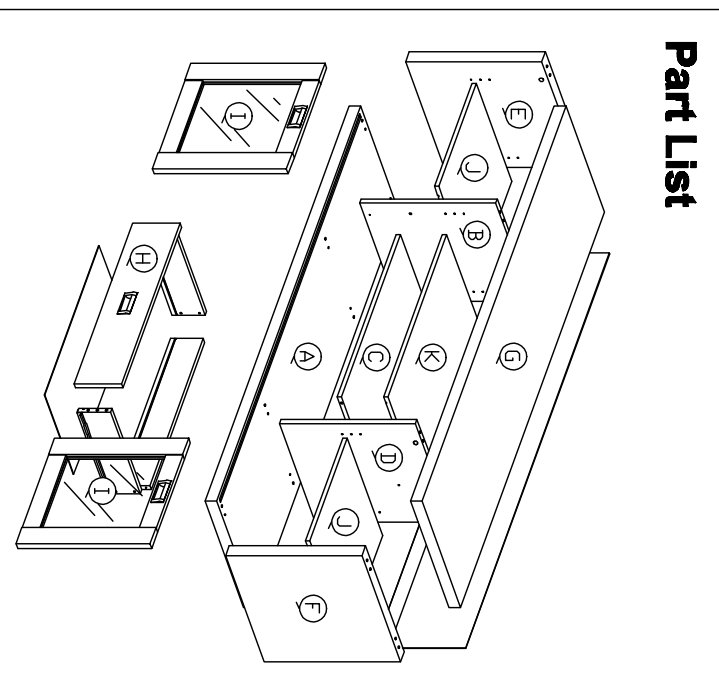
# Assembly Instruction

**Model : FTV 886**

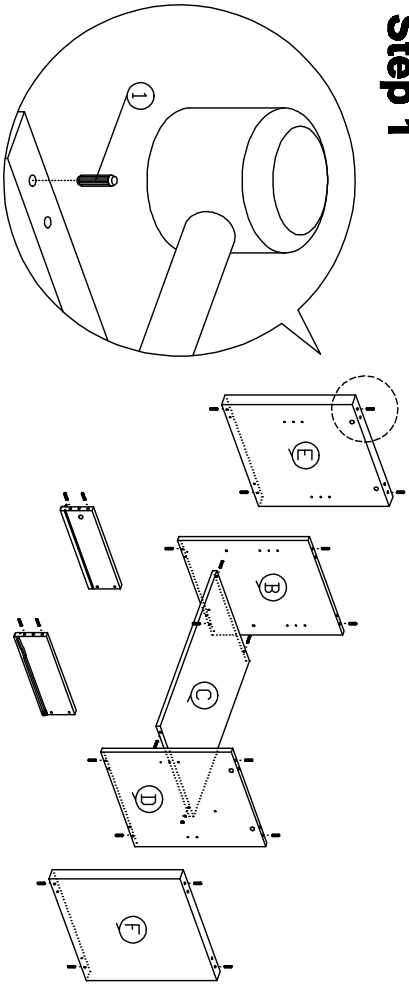
## Part List



Hardware List			
No.	SHAPE	DESCRIPTION	QTY
1		8x25mm Wood Dowel	24Pcs
2		15MM Mylar MiniFix	10Set
3		M3.5x12mm Screw	4Pcs
4		M3.5x16mm Screw	24Pcs
5		M4x38mm Screw	4Pcs
6		M4x65mm Screw	8Pcs
7		Nail	40Pcs
8		Shelf Support	12Pcs
9		Drawer Slide = 300mm	1Set
10		PVC Square Leg	6Pcs
11		PVC Profile U 128	1Pc
12		PVC Profile M 118	1Pc



## Step 1



## Step 2

