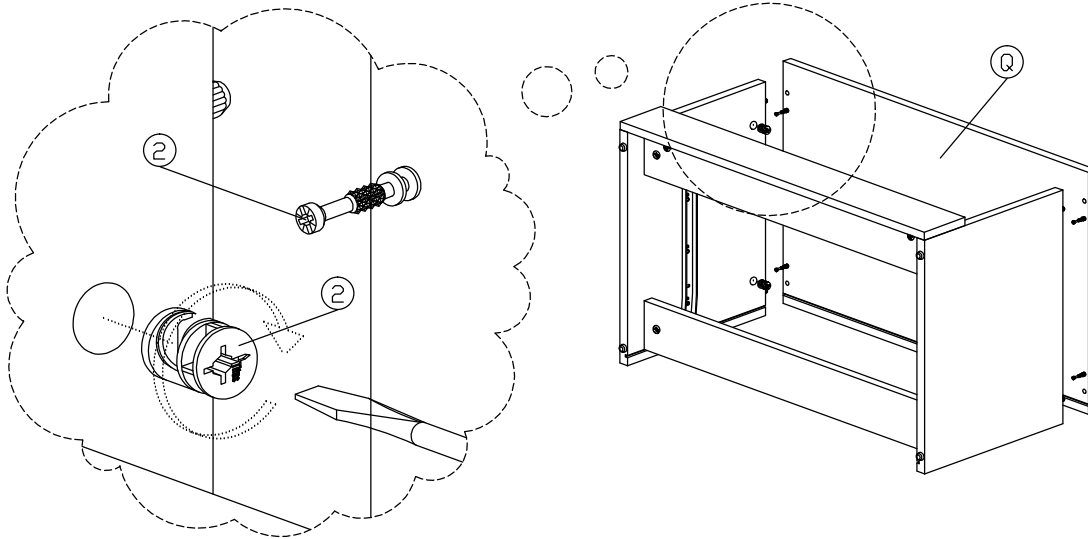


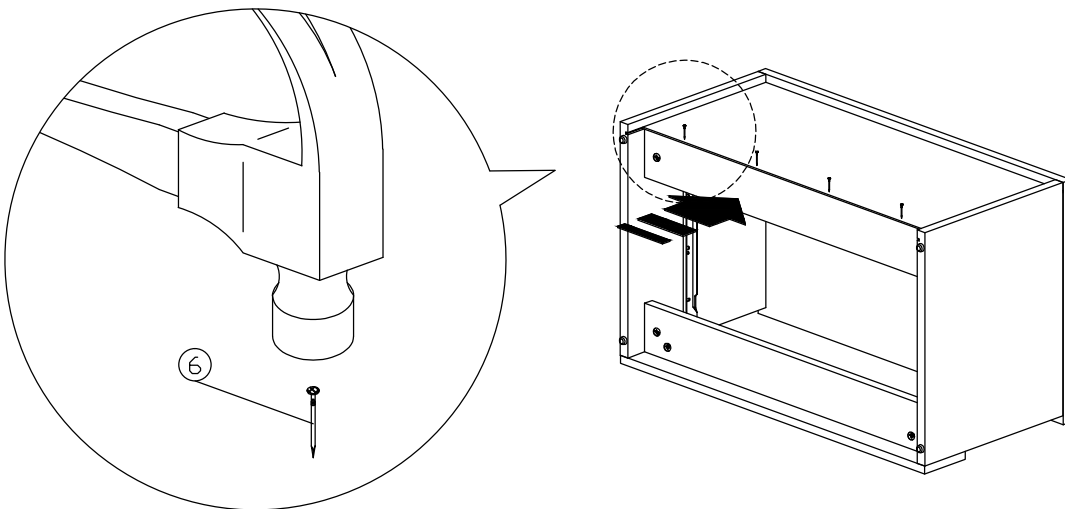
Assembly Instruction

Step 18



**Place top panel, secure with minifix as shown above.*

Step 19



**Insert back panel, secure with Nail as shown above.*