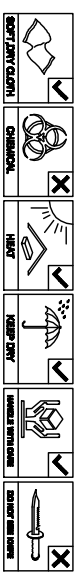


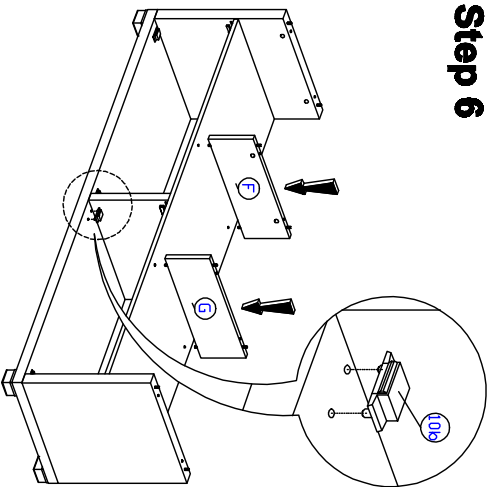
# Assembly Instruction



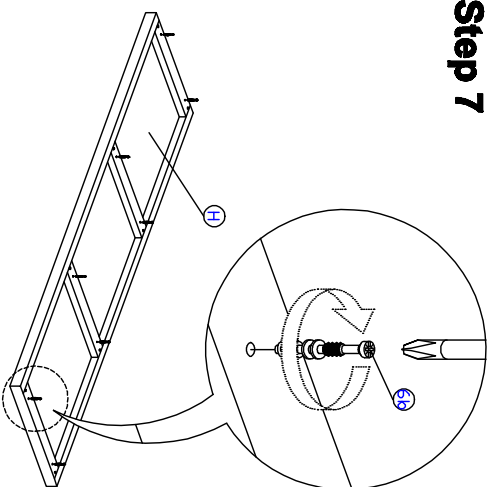
**Model : FTV 885**



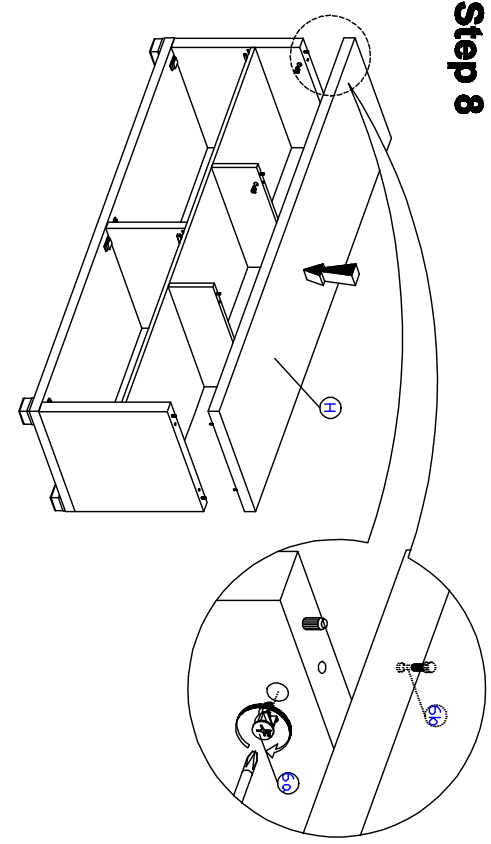
**Step 6**



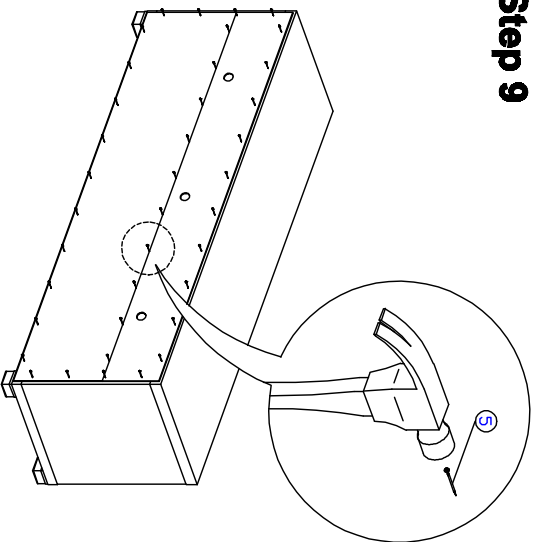
**Step 7**



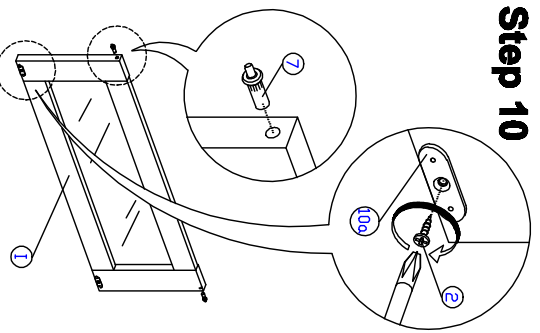
**Step 8**



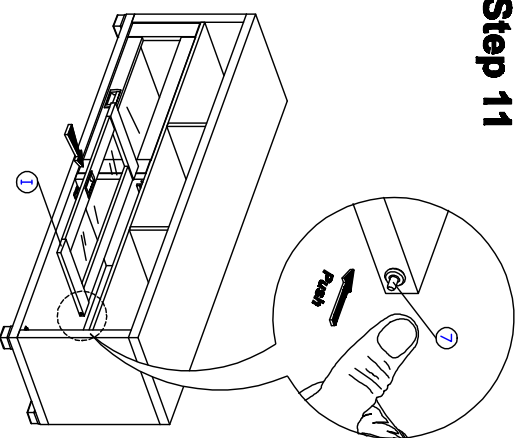
**Step 9**



**Step 10**



**Step 11**



**Complete**

