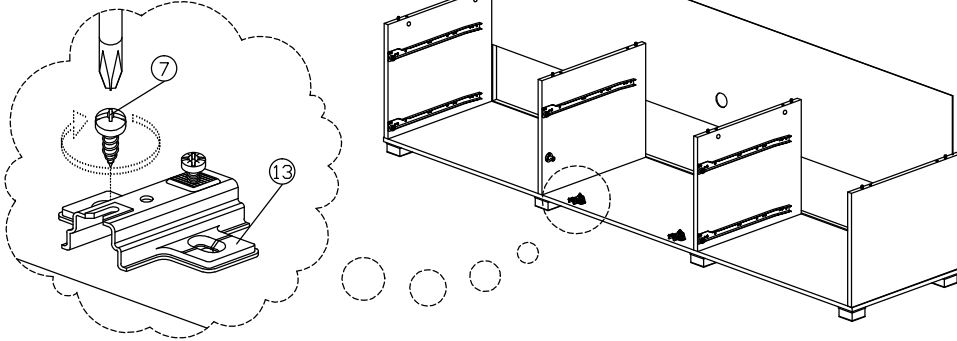


Assembly Instruction

Step 10

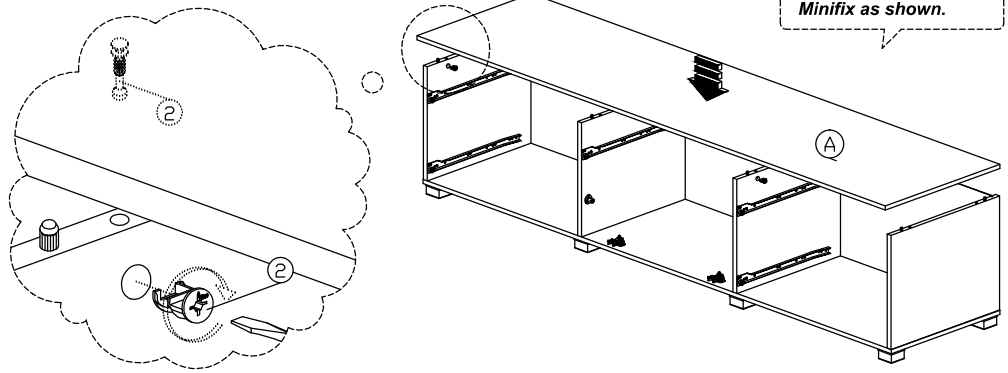
*Install Hinges with screw as shown below.

*Insert back panel as shown.

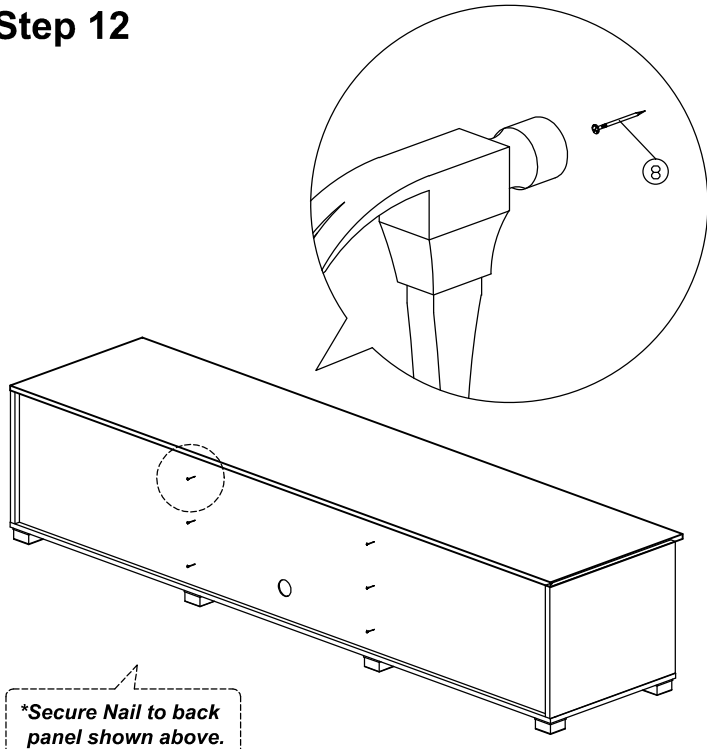


Step 11

*Place Top, secure with Minifix as shown.

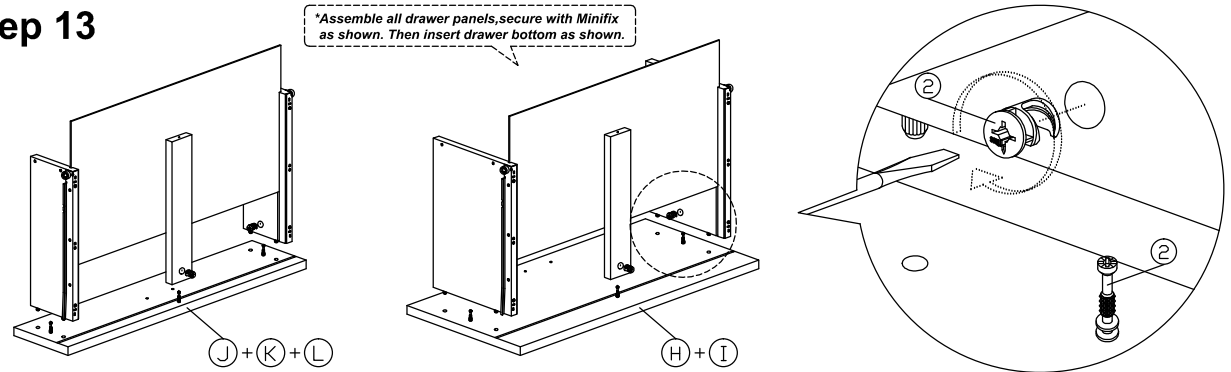


Step 12



Step 13

*Assemble all drawer panels, secure with Minifix as shown. Then insert drawer bottom as shown.



Step 14

*Assemble drawer back panel with screw as shown.

