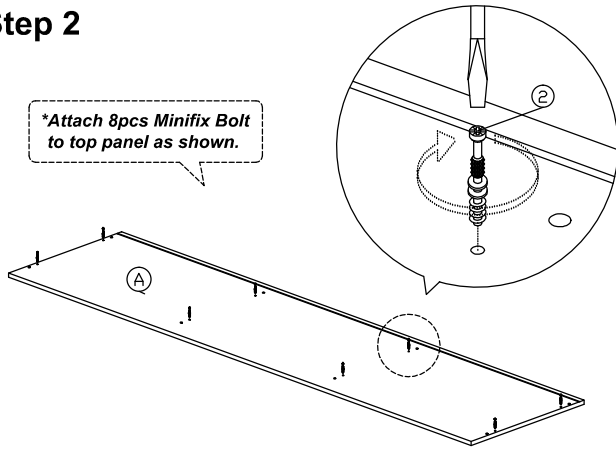


Assembly Instruction

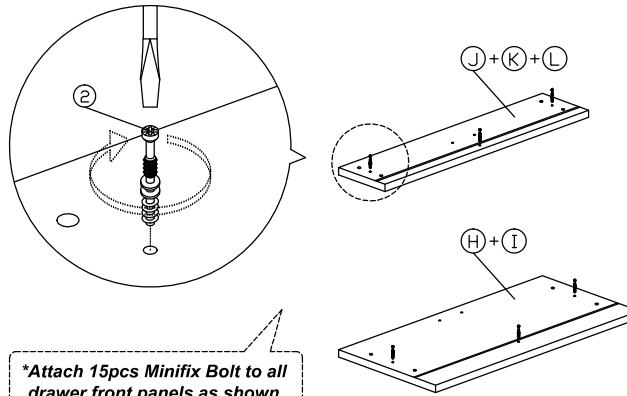
Step 2

*Attach 8pcs Minifix Bolt to top panel as shown.



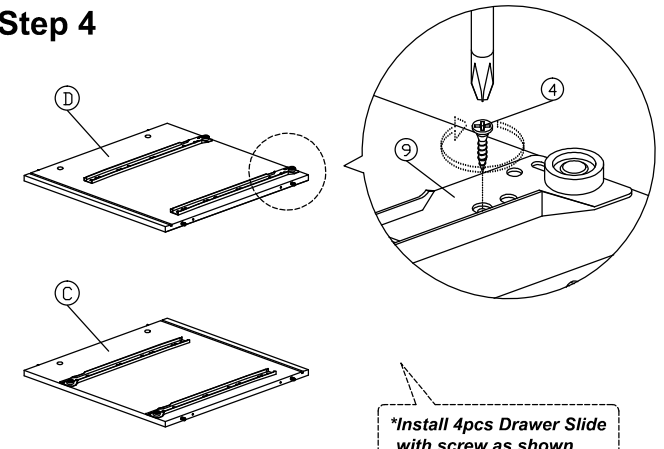
Step 3

*Attach 15pcs Minifix Bolt to all drawer front panels as shown.



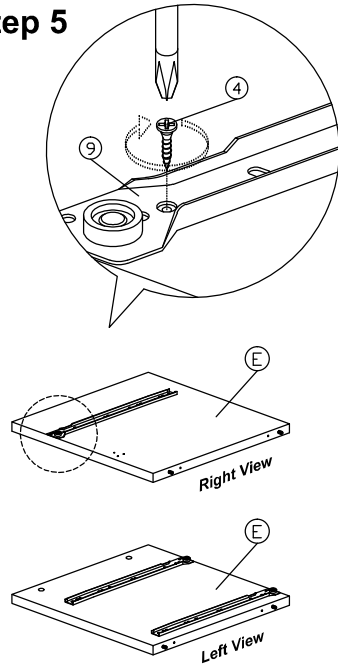
Step 4

*Install 4pcs Drawer Slide with screw as shown.



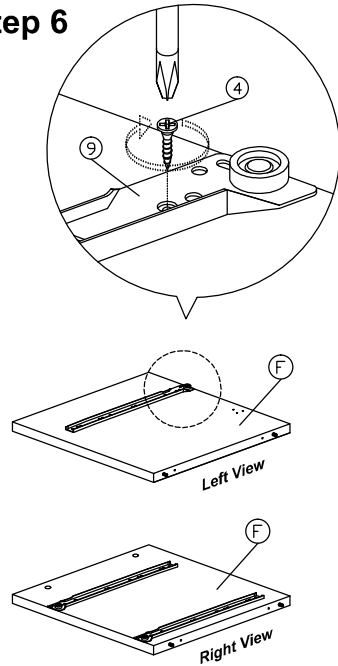
Step 5

*Install 3pcs Drawer Slide with screw to both sides of stand panel as shown.



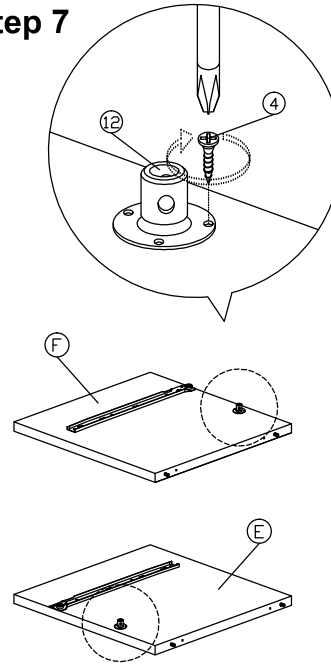
Step 6

*Install 3pcs Drawer Slide with screw to both sides of stand panel as shown.



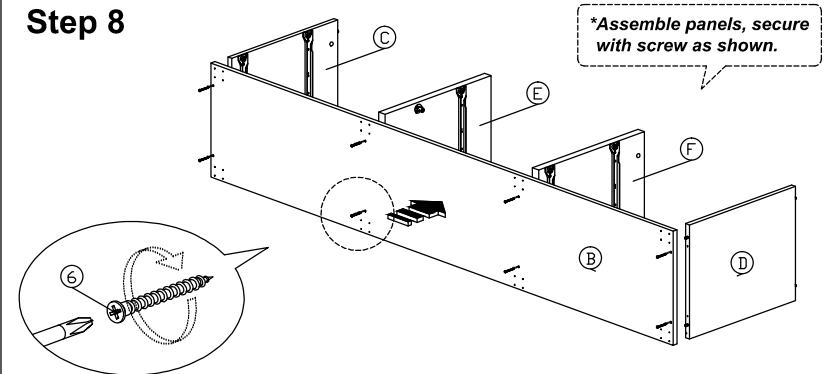
Step 7

*Install 2pcs 8" Chest Stay with screw to stand panels as shown.



Step 8

*Assemble panels, secure with screw as shown.



Step 9

*Install PVC Square Leg with screw as shown.

*Cap them off with the plastic caps as shown.

