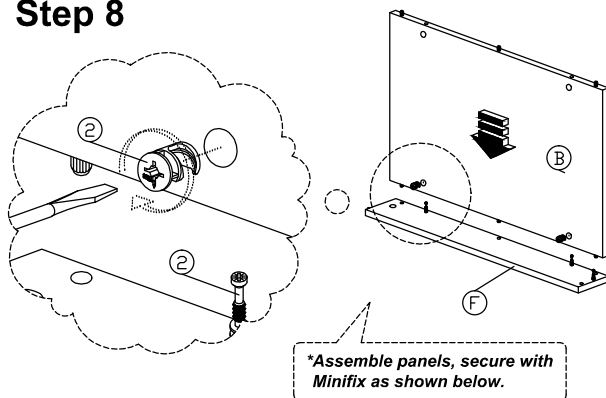
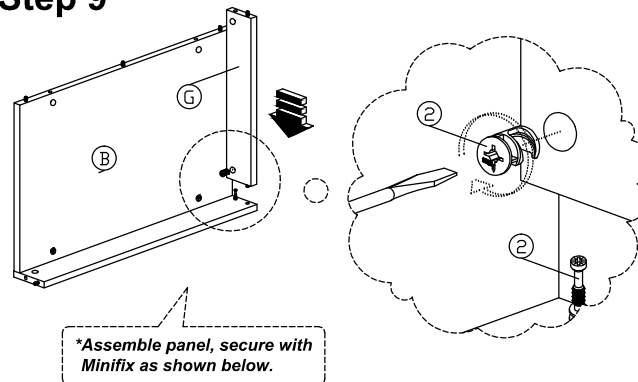


Assembly Instruction

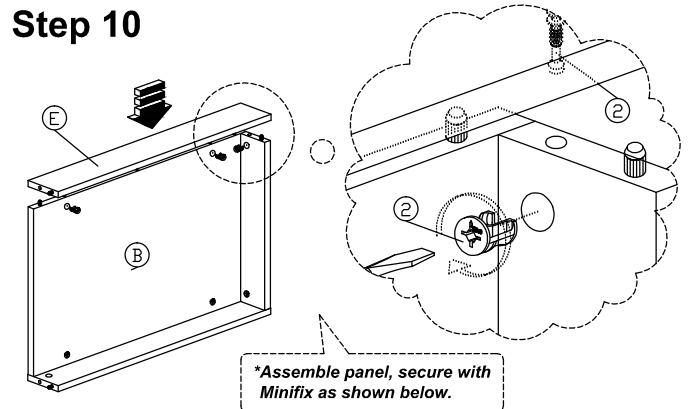
Step 8



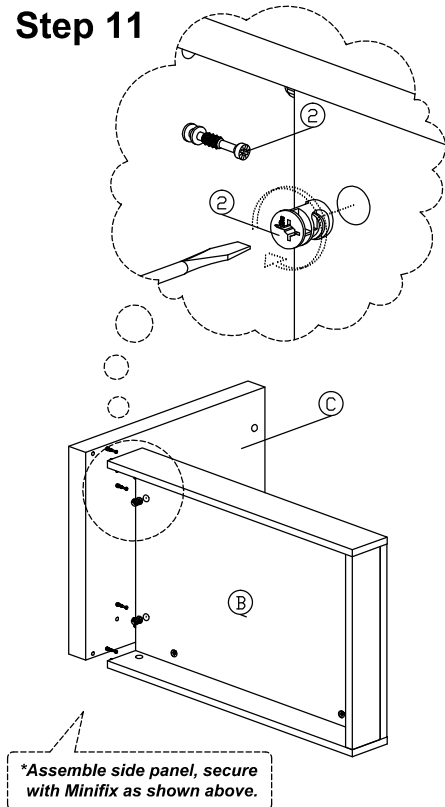
Step 9



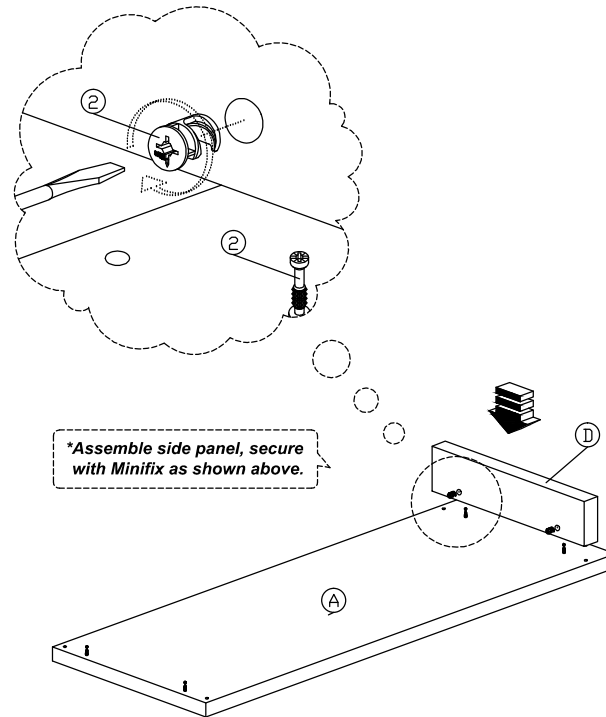
Step 10



Step 11



Step 12



Step 13

