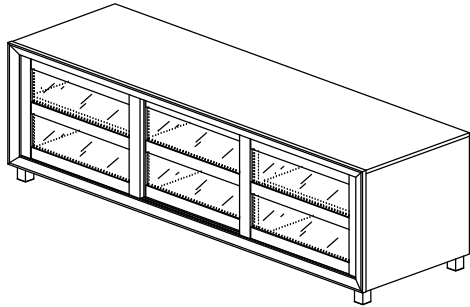
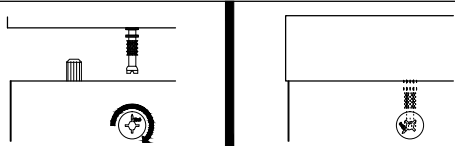


Assembly Instruction

Model : FTV - 4123

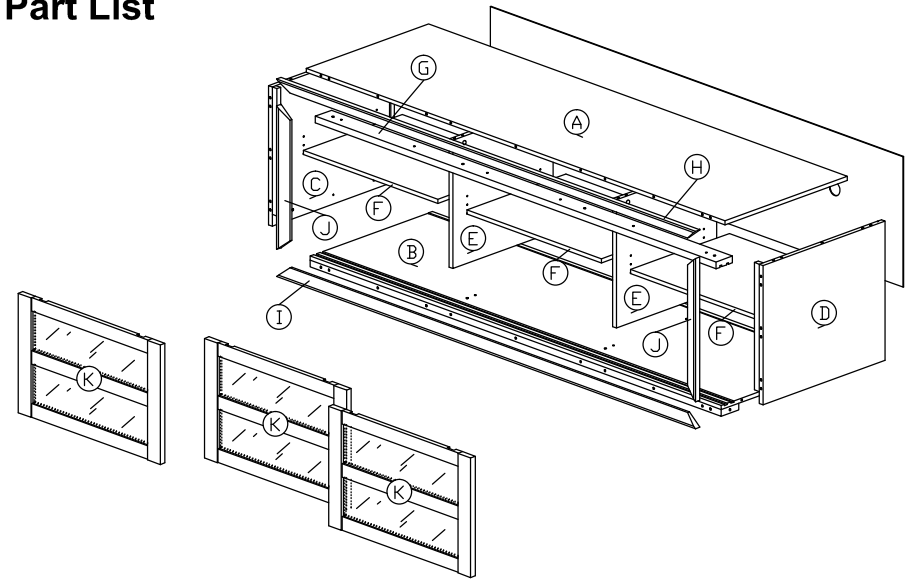


Dowel / Cam - Lock Installation

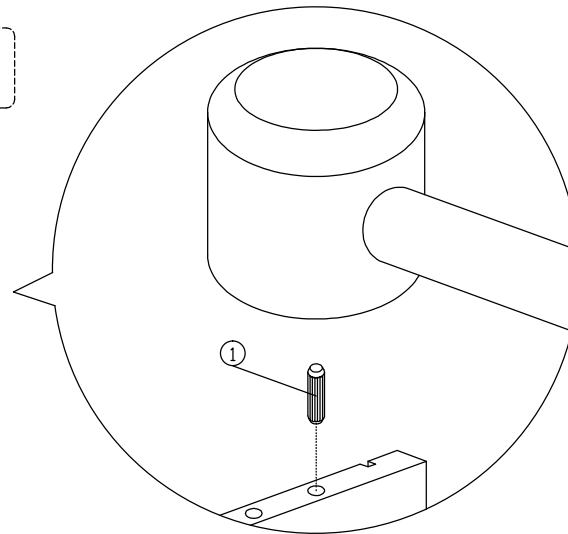
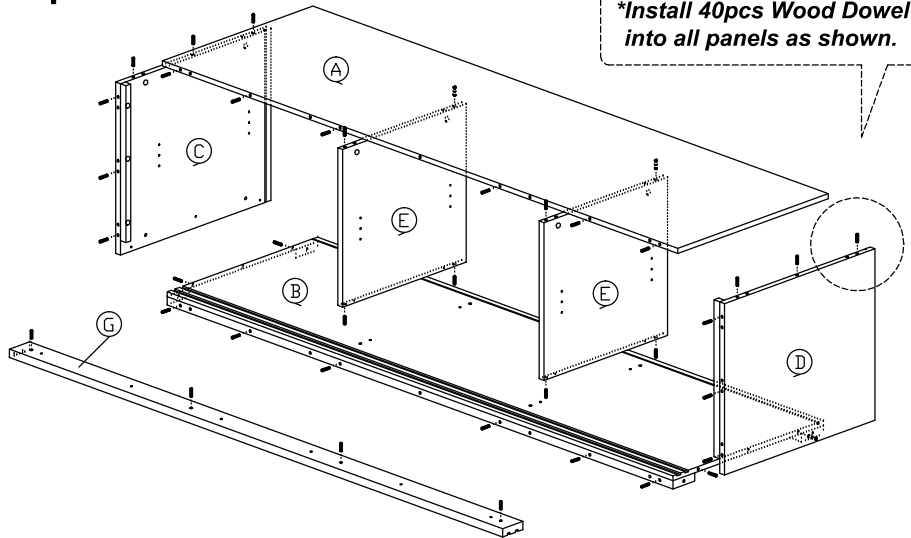


Hardware List			
No.	SHAPE	DESCRIPTION	Qty.
1		8x25mm Wood Dowel	40Pcs
2		15MM Titus Mini Fix	30Sets
3		M3x12mm Screw	24Pcs
4		M3.5x16mm Screw	18Pcs
5		M4x38mm Screw	6Pcs
6		M5x38mm Screw	4Pcs
7		Shelf Support	12Pcs
8		Nail	6Pcs
9		15MM Minifix Cap	14Pcs
10		Plastic Sofa leg	6Pcs
11		PVC Sliding Lining - LH137 (1578mm)	2Pcs
12		PVC Sliding Lining - M118 (1616mm)	2Pcs
13		Sliding Roller T446	6Sets

Part List



Step 1



Step 2

