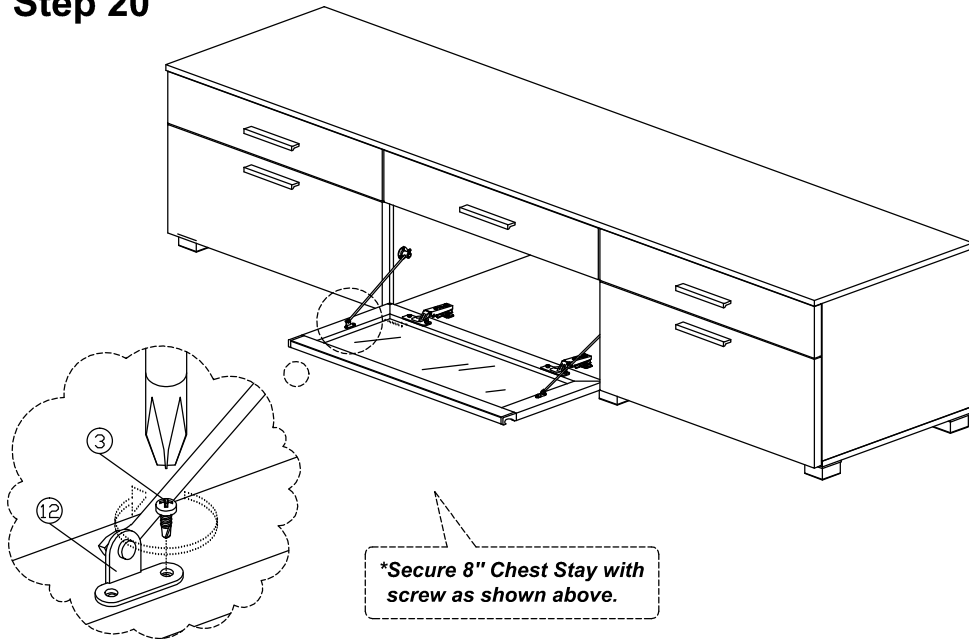


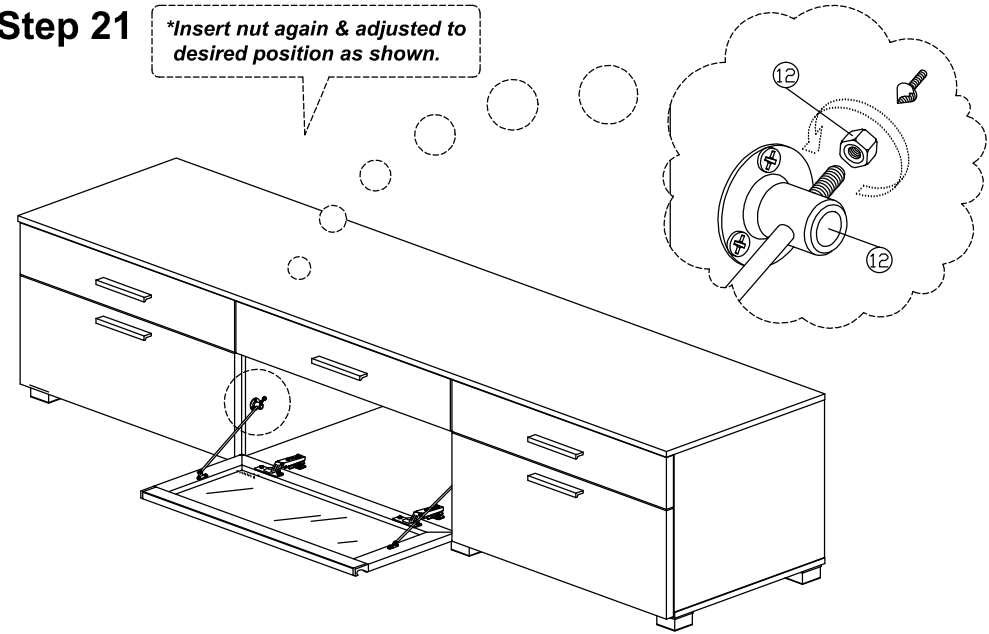
Assembly Instruction

Step 20



Step 21

**Insert nut again & adjusted to desired position as shown.*



Complete

