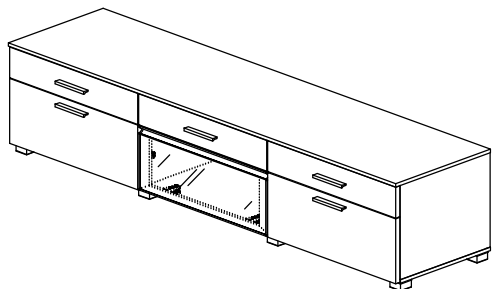
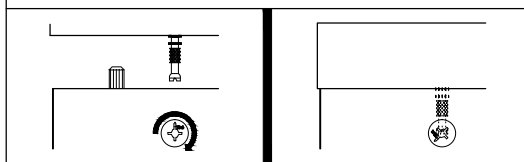


# Assembly Instruction

Model : FTV - 4127



## Dowel / Cam - Lock Installation

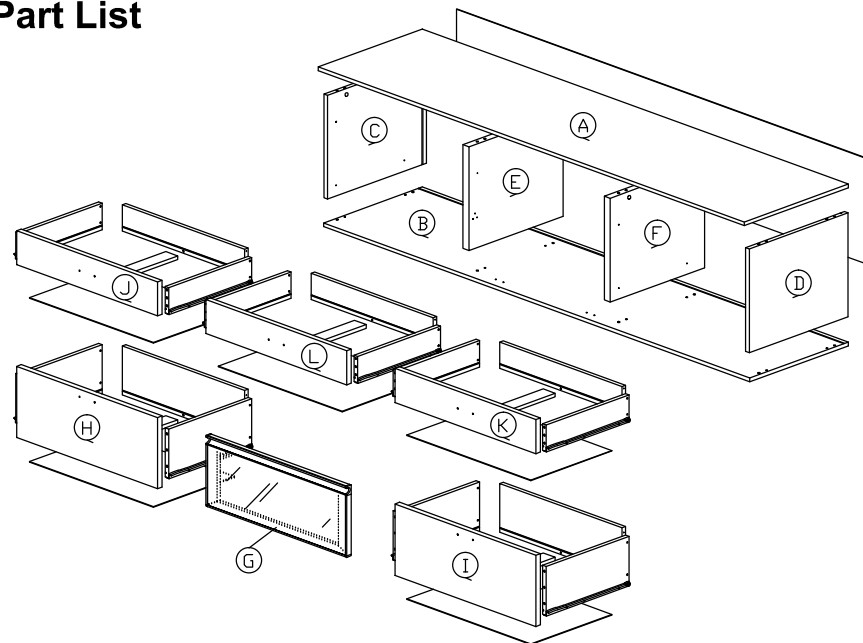


## Hardware List

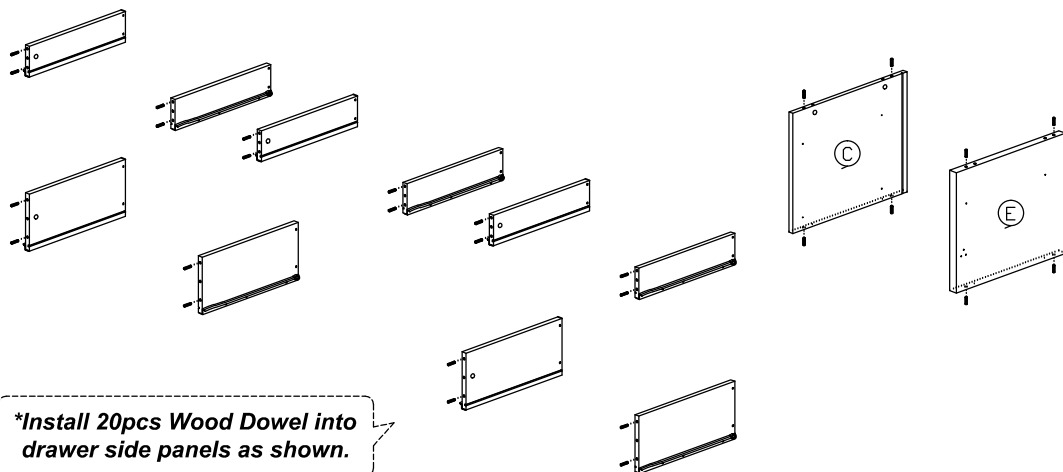
No.	SHAPE	DESCRIPTION	Qty.
-----	-------	-------------	------

1		8x25mm Wood Dowel	36Pcs
2		15MM Titus Mini Fix	23Sets
3		PH Self Drilling Screw #6 x 3/8"	4Pcs
4		M3.5x15mm Screw	58Pcs
5		M4x38mm Screw	25Pcs
6		M5x38mm Screw	8Pcs
7		TP 10#x1/2" Screw	8Pcs
8		Nail	6Pcs
9		Drawer Slide 14" (350mm)	5Sets
10		PVC Square Leg	8Pcs
11		Handle L Shape (133mm) M3.6x31mm Screw	5Sets
12		8" Chest Stay	2Sets
13		Hinges (F011)	2Sets

## Part List



## Step 1



\*Install 16pcs Wood Dowel into all panels as shown.

