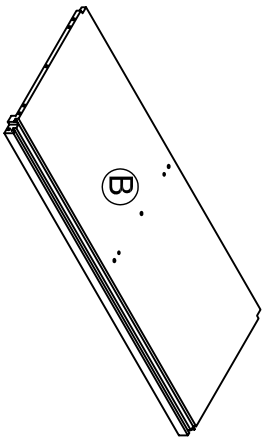
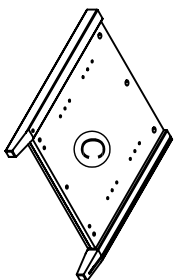


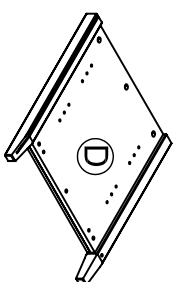
Top Board



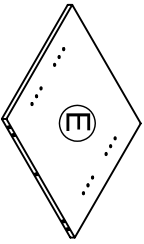
Bottom



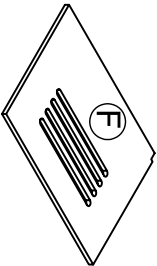
Left Side Panel



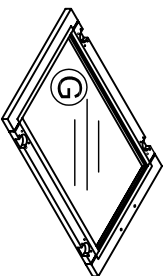
Right Side Panel



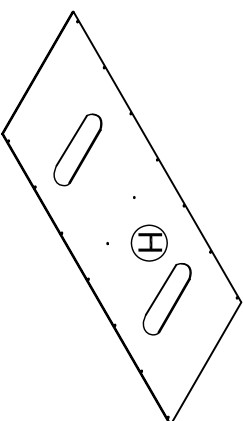
Middle Panel



4 Adjustable Shelf



2 Door

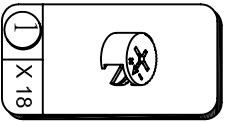
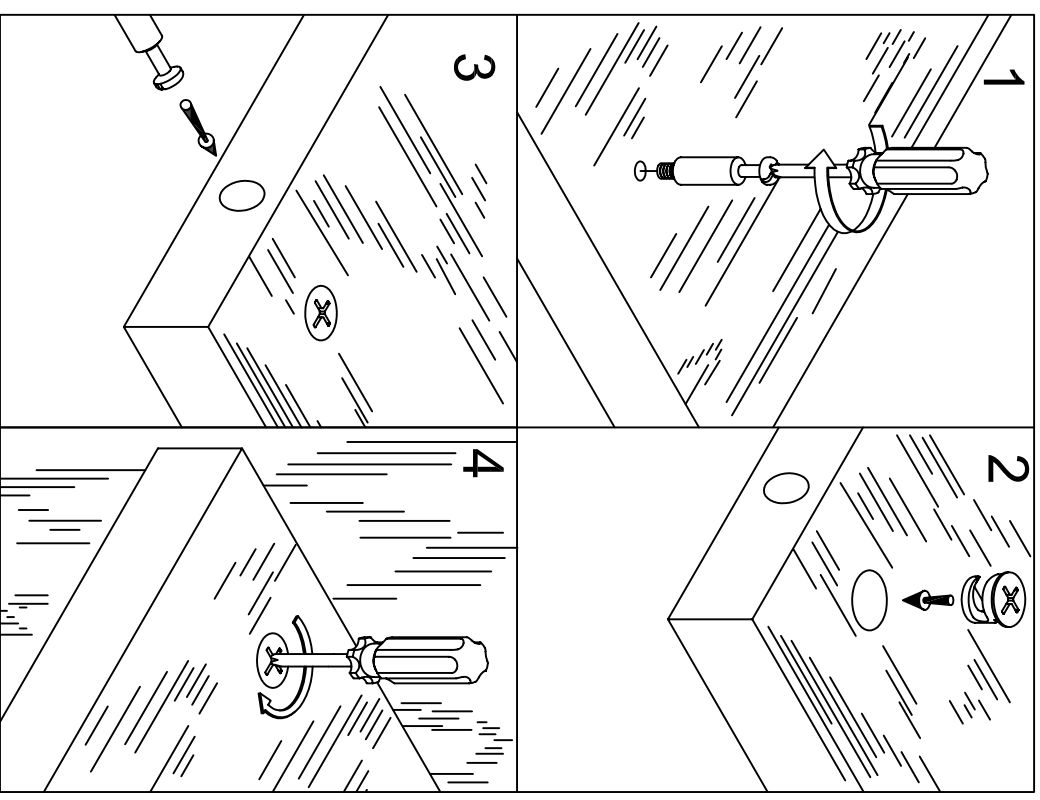


Back Panel

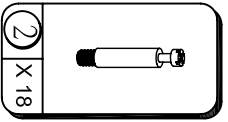


Foot

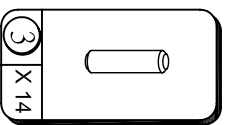
This illustration shows how the CAM fastening system works.



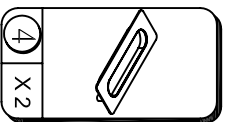
Cam Lock



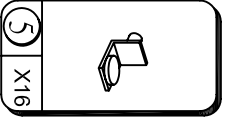
Cam Bolt



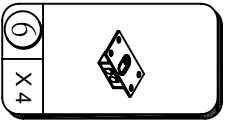
Wooden Dowel



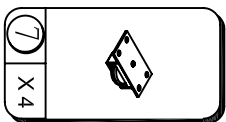
Knob



Shelf Support



chain wheel



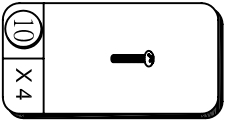
chain wheel



Leveling Glide



3/5" Pan Head Screw

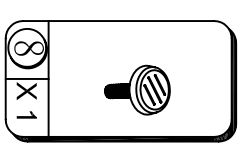
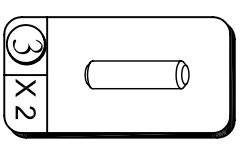
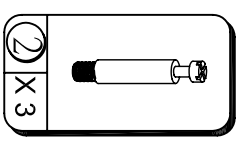
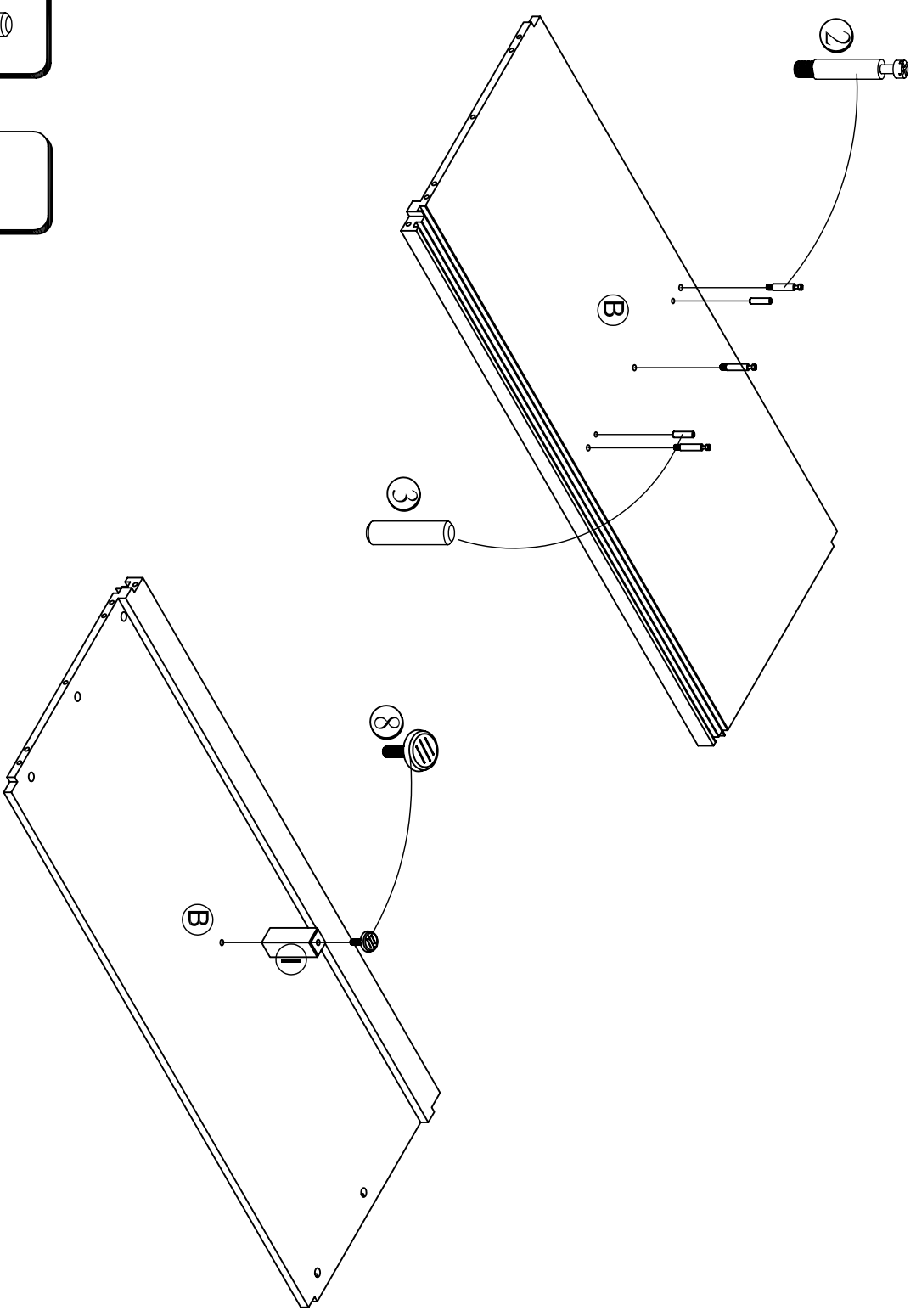


4/6" Screw

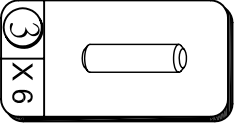
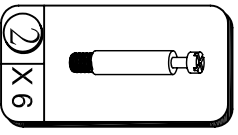
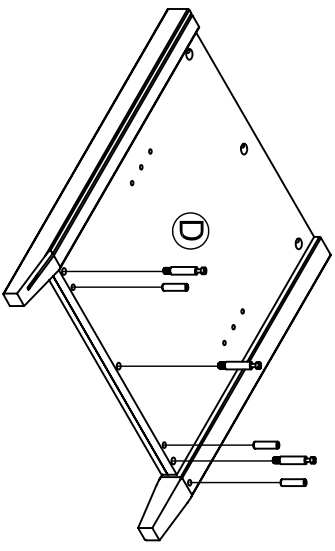
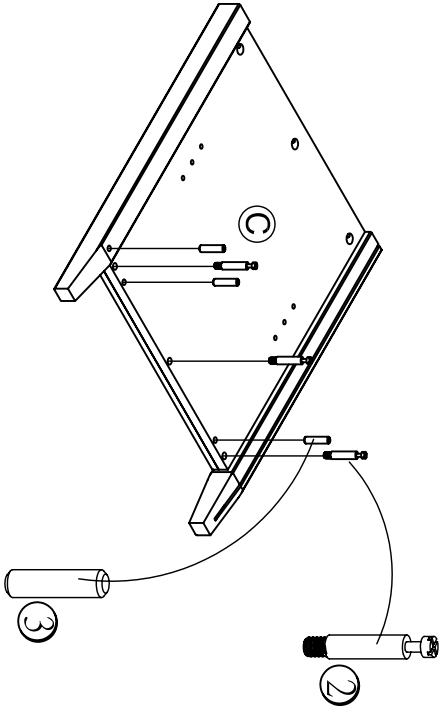


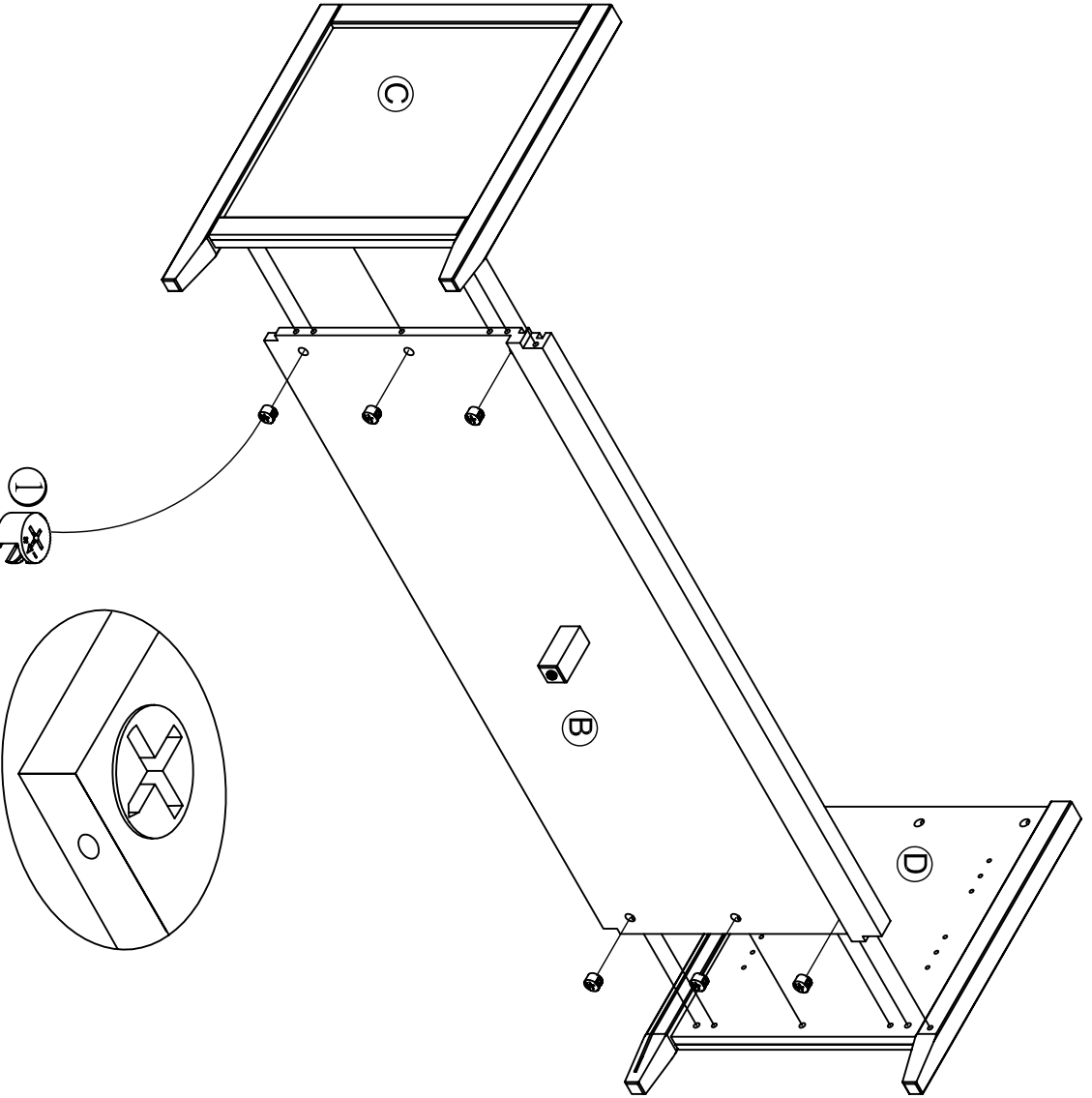
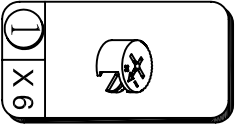
5/8" Flat head Screw

1

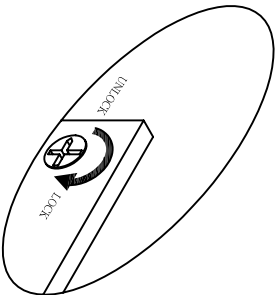
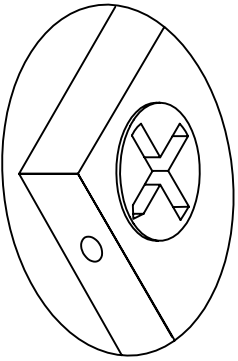


2

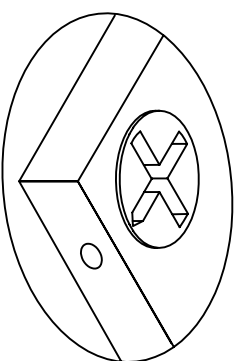
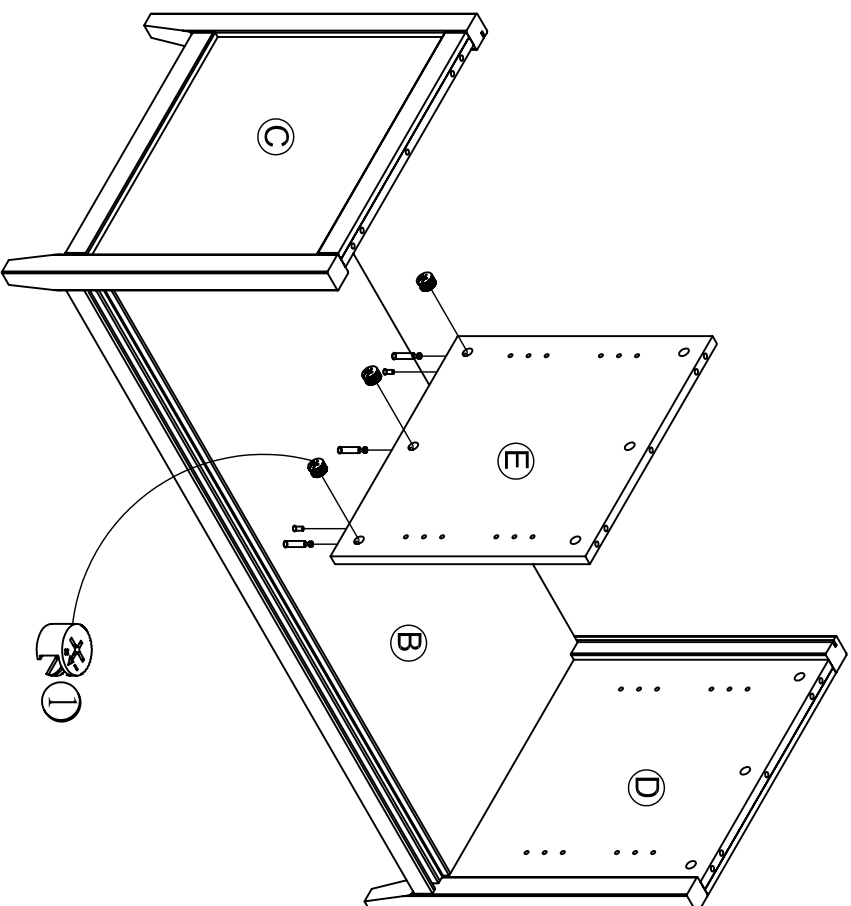




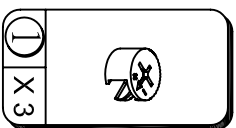
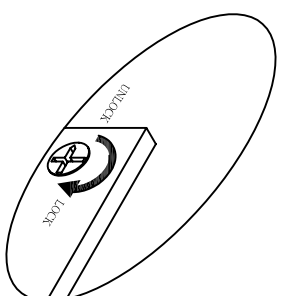
Proper orientation of CAM LOCK

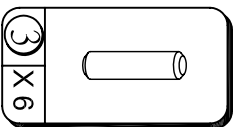
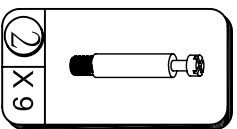
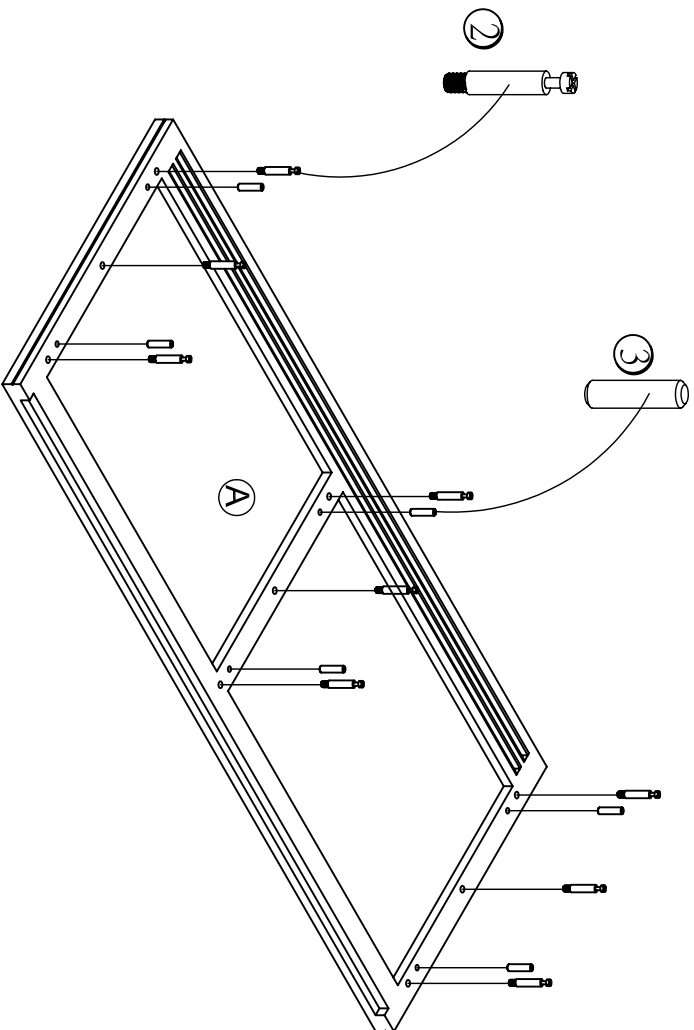


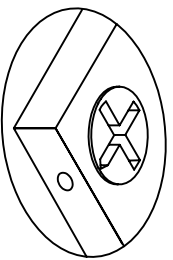
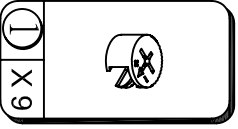
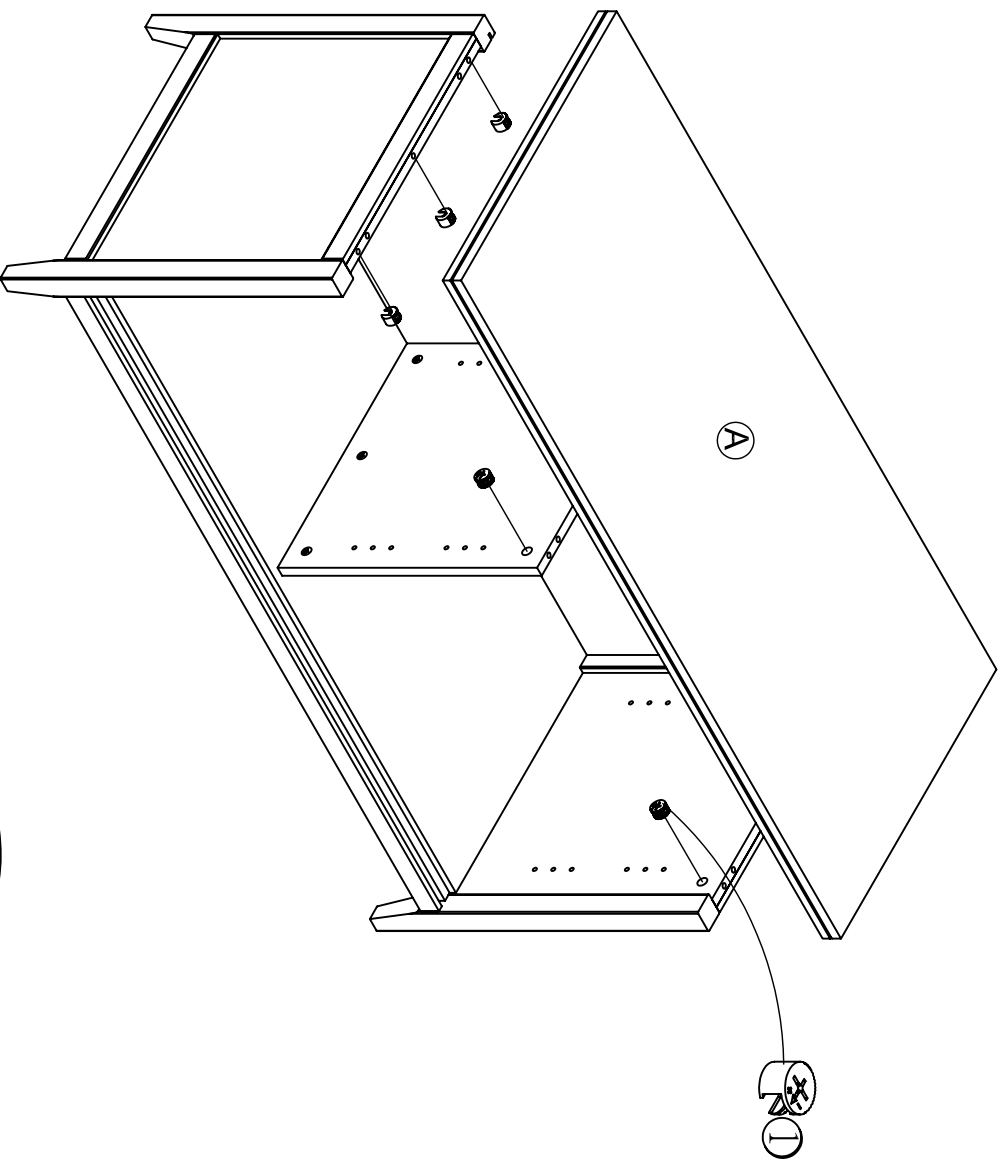
4



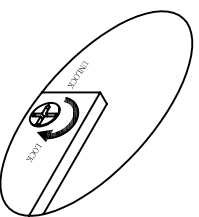
Proper orientation of CAM LOCK

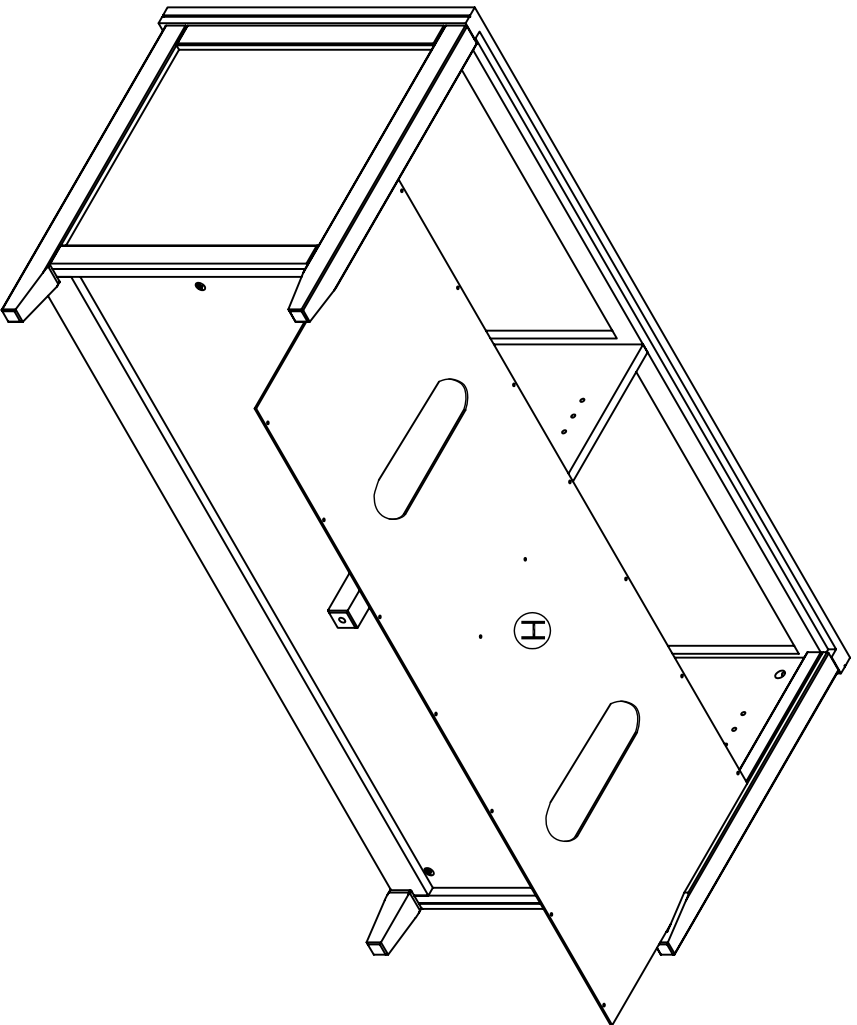


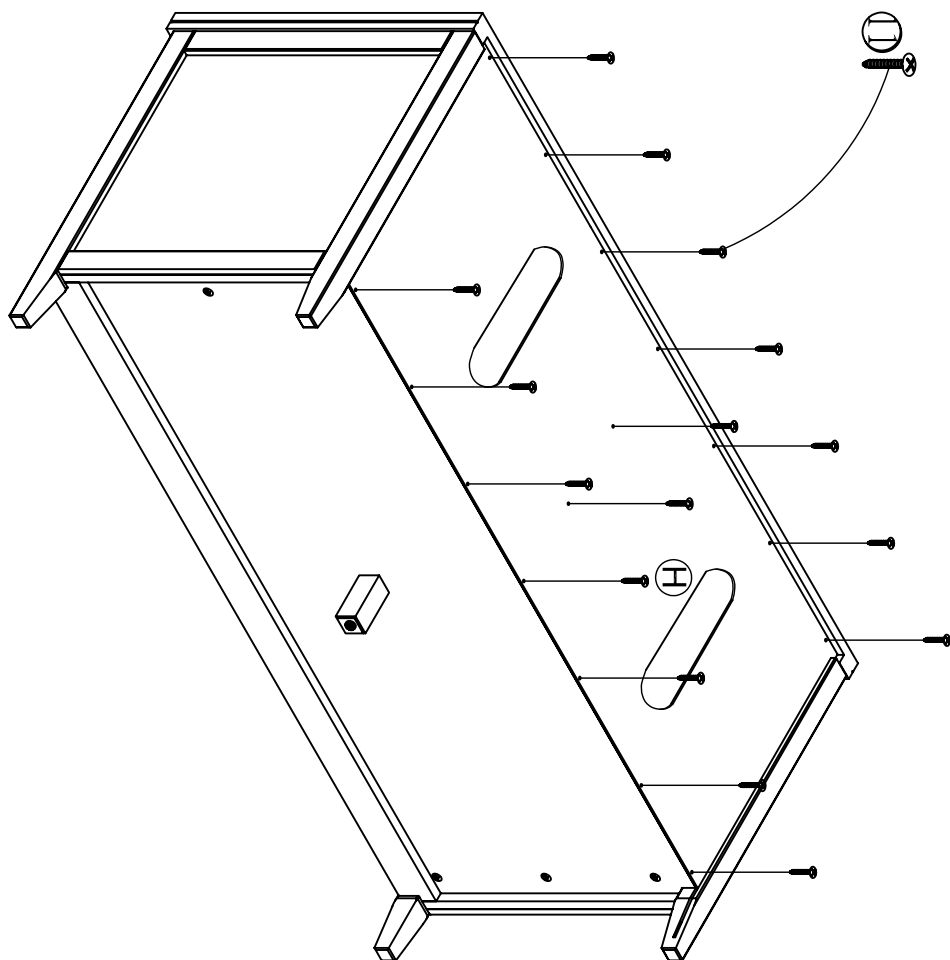


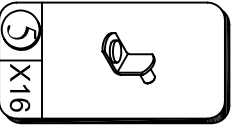
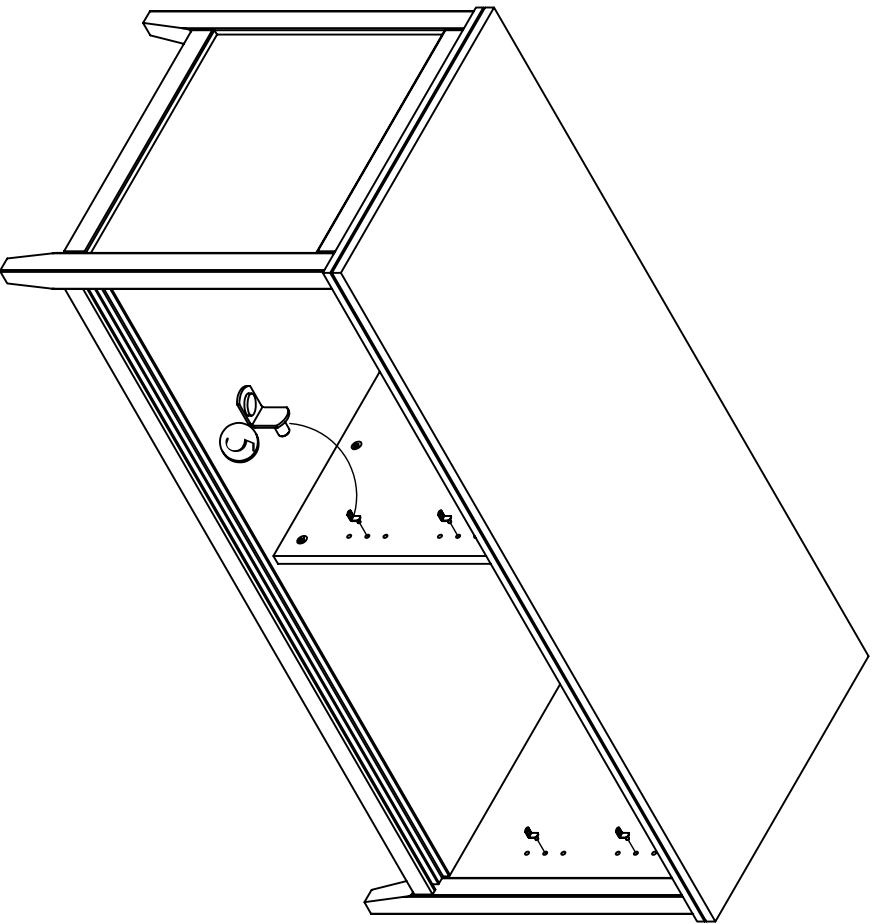


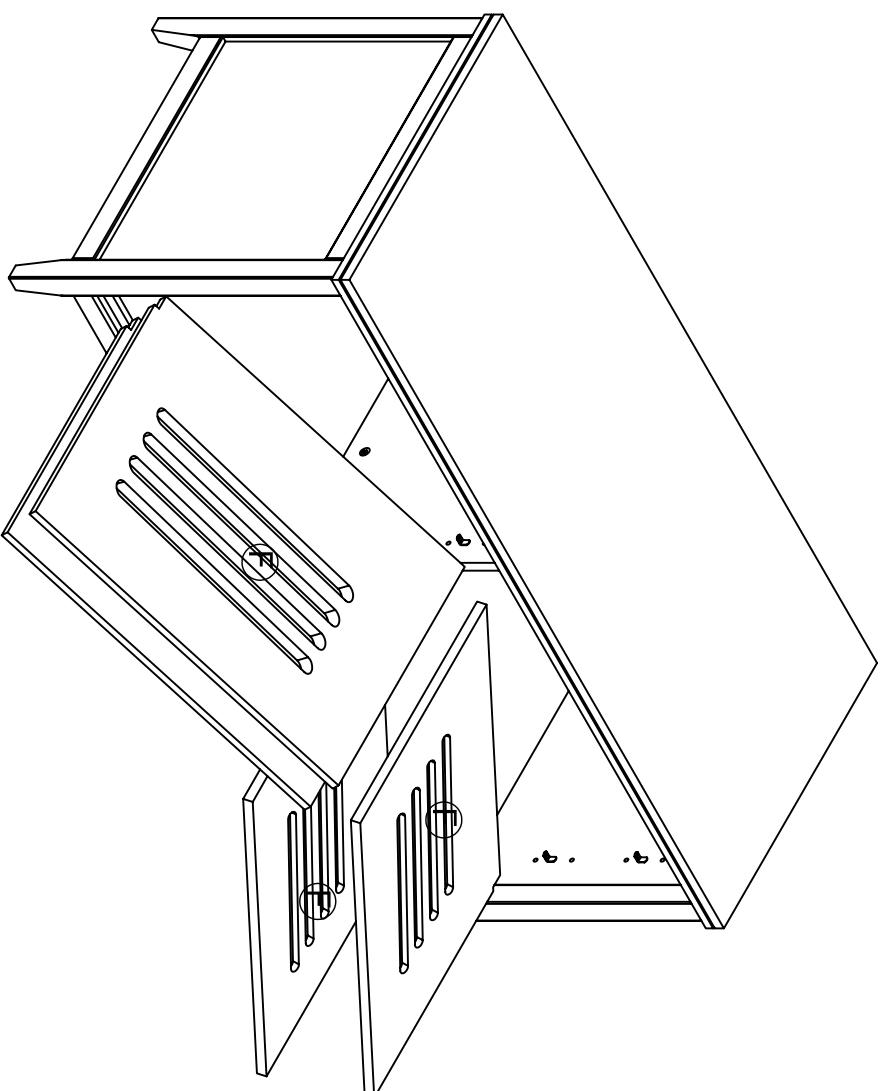
Proper orientation of CAM LOCK











11

