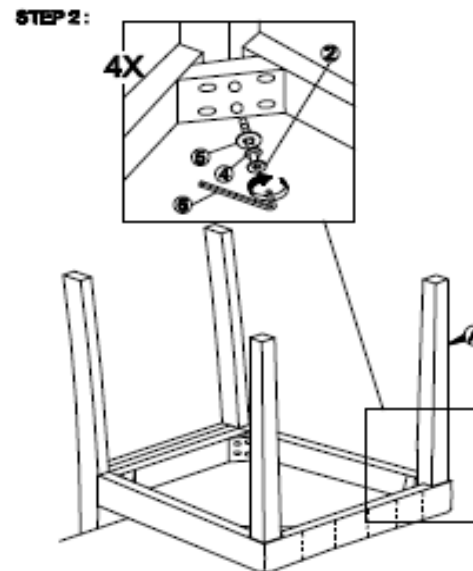
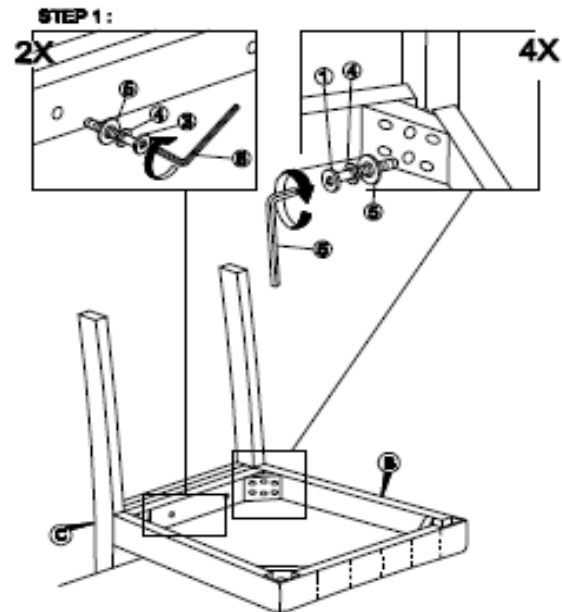


STRIP



www.hinlim.com

ISO 9001:2000
Certificate No. 2502






PRODUCT DESCRIPTION

Read instruction carefully. Remove all wrapping material staples and straps from the carton. See hardware and Furniture Part List for guidance. Be sure you have all parts before you start assembling. Place all wooden furniture part a clean and flat soft surface, such as carpet or to prevent from scratched.

CAUTION:

KEEP ALL HARDWARE PART OUT REACH OF CHILDREN

ITEM	HARDWARE LIST	QTY
1	JCBC SCREW M6X30MM 	4 PCS
2	JCBC SCREW M6X30MM 	4 PCS
3	JCBC SCREW M6X30MM 	2 PCS
4	SPRING WASHER 1/4" 	10 PCS
5	FLAT WASHER 1/4" 	10 PCS
6	M4 ALLEN KEY (BALL SHAPE) LONG 	1PC

ITEM	PART LIST	QTY
A	FRONT LEG	2PCS
B	SEAT FRAME	1PC
C	BACK REST	1PC