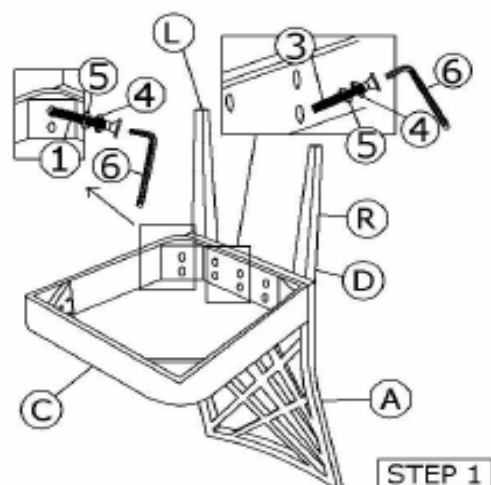
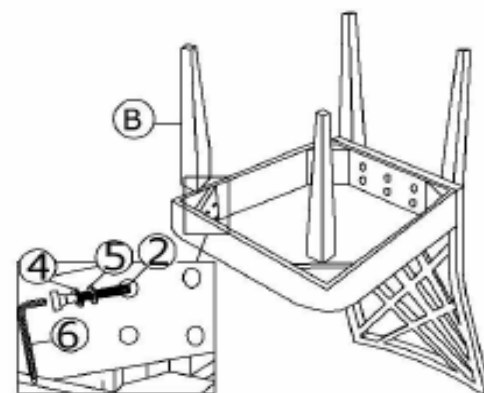


MARLA



STEP 1



STEP 2

PRODUCT DESCRIPTION

Read instruction carefully. Removing all wrapping material, staples and straps from the carton. See Hardware and Furniture Part List for guidance. Be sure you have all part before you start assembling. Place all wooden furniture part a clean and flat soft surface, such as carpet or rug to prevent from being scratched.

CAUTION

KEEP ALL HARDWARE PART OUT OF REACH OF CHILDREN

HARDWARE LIST			
ITEM	DESCRIPTION		QTY
1	JCBC BOLT M6 X 70MM		4 PCS
2	JCBC BOLT M6 X 60MM		4 PCS
3	JCBC BOLT M6 X 40MM		6 PCS
4	SPRING WASHER M6		14 PCS
5	FLAT WASHER		14 PCS
6	ALLEN KEY M4 (BALL SHAPE)		1 PC

PART LIST		
ITEM	DESCRIPTION	QTY
A	CHAIR BACK	1 PC
B	FRONT LEG	2 PCS
C	BOX FRAME	1 PC
D	BACK LEG (L & R)	2 PCS

HINLIM
SINCE 1971

www.hinlim.com

ISO 9001:2000
Certificate No. 2502

