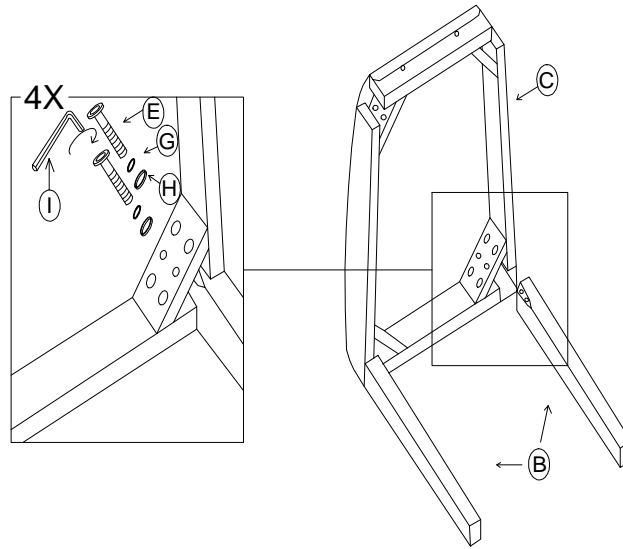


DEBORAH

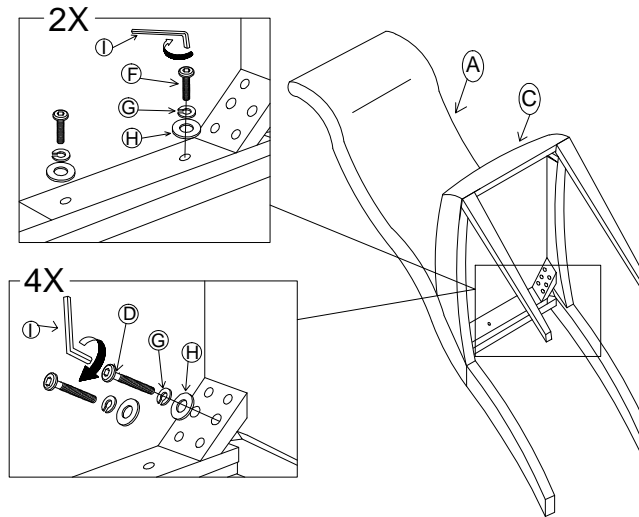


PRODUCT DESCRIPTION

Read instruction carefully. Remove all wrapping material, staples and straps from the carton. See Hardware and Furniture Part List for guidance. Be sure you have all parts before you start assembling. Place all wooden furniture part a clean and flat soft surface, such as carpet or rug to prevent from being scratched.

CAUTION:

KEEP ALL HARDWARE PART OUT OF REACH OF CHILDREN



PART LIST		
CODE	DESCRIPTION	QTY
A	BACK REST	1PC
B	FRONT LEG	2PCS
C	SEAT FRAME	1PC
D	JCBC BOLT M6X70MM	4PCS
E	JCBC BOLT M6X60MM	4PCS
F	JCBC BOLT M6X45MM	2PCS
G	SPRING WASHER	10PCS
H	FLAT WASHER	10PCS
I	ALLEN KEY	1PC