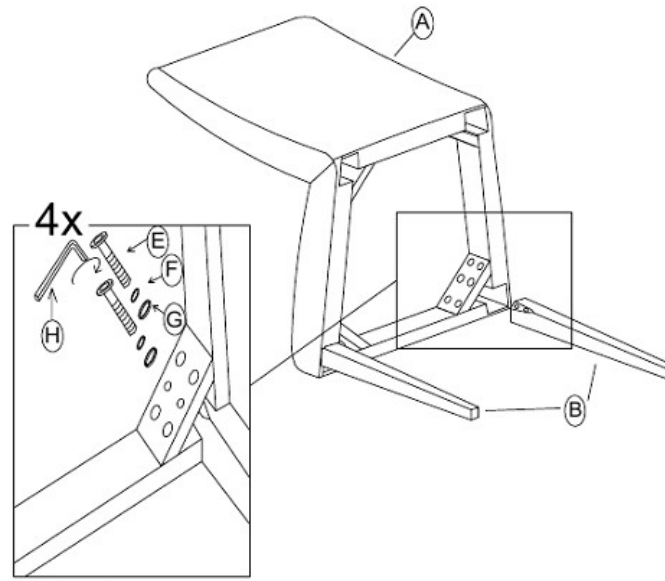
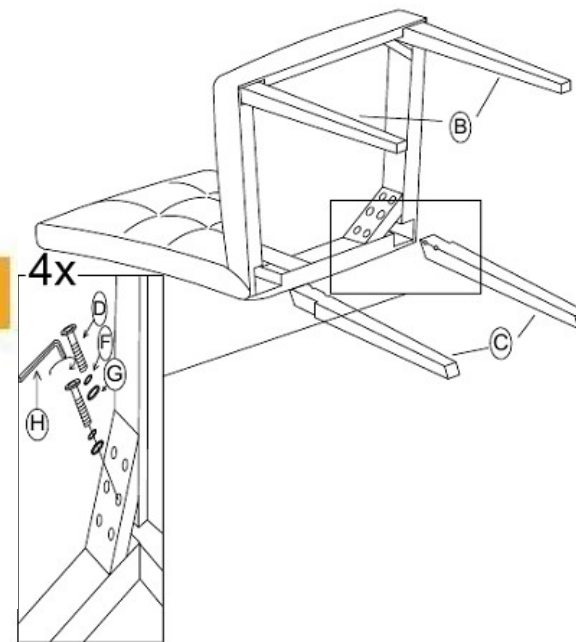


DAMITA



STEP 1



STEP 2

PRODUCT DESCRIPTION

Read instruction carefully. Remove all wrapping material, staples and straps from the carton. See Hardware and Furniture Part List for guidance. Be sure you have all parts before you start assembling. Place all wooden furniture part a clean and flat soft surface, such as carpet or rug to prevent from being scratched.

CAUTION:

KEEP ALL HARDWARE PART OUT OF REACH OF CHILDREN

PART LIST		
CODE	DESCRIPTION	QTY
A	SEAT FRAME	1PC
B	FRONT LEG	2PCS
C	BACK LEG	2PCS
D	JCBC BOLT M6X70MM	4PCS
E	JCBC BOLT M6X60MM	4PCS
F	SPRING WASHER	8PCS
G	FLAT WASHER	8PCS
H	ALLEN KEY	1PC



www.hinlim.com

ISO 9001:2000
Certificate No. 2502

