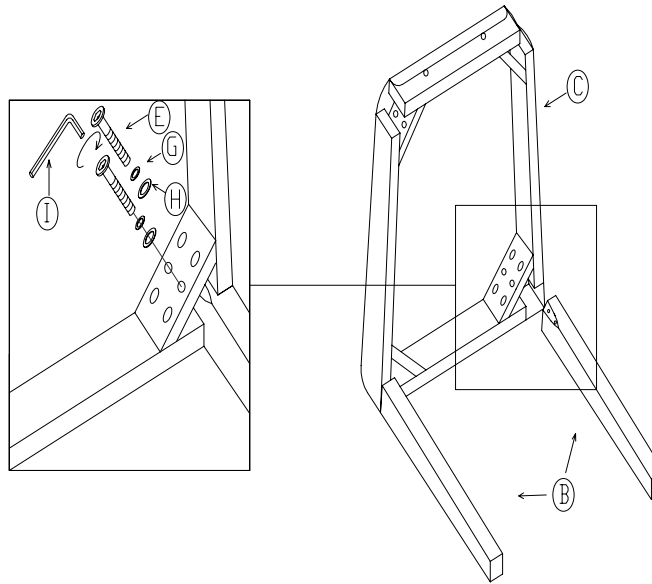
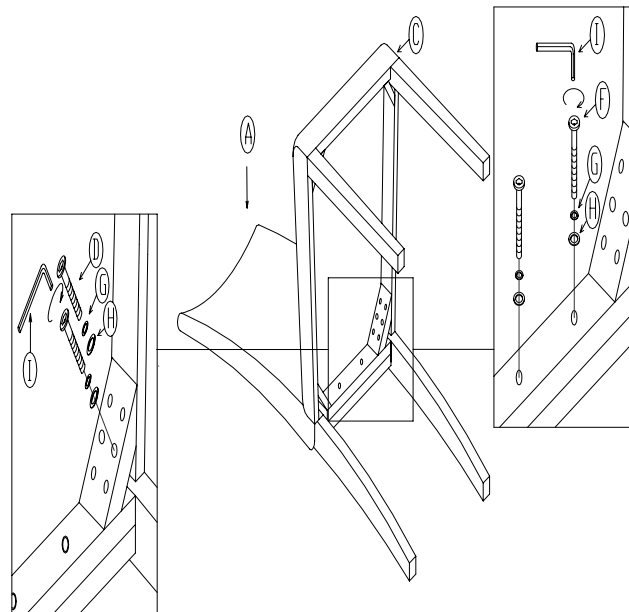


# SHINO



STEP 1



STEP 2

## PRODUCT DESCRIPTION

Read instruction carefully. Remove all wrapping material. Staples and straps from the carton. See Hardware and Furniture Part List for guidance. Be sure you have all parts before you start assembling. Place all wooden furniture part a clean and flat soft surface, such as carpet or rug to prevent from being scratched.

## CAUTION:

*KEEP ALL HARDWARE PART OUT OF REACH OF CHILDREN*

PART LIST		
CODE	DESCRIPTION	QTY
A	BACK REST	1 PC
B	FRONT LEG	2 PCS
C	SEAT FRAME	1 PC
D	JCBC BOLT M6X70MM	4 PCS
E	JCBC BOLT M6X60MM	4 PCS
F	JCBC BOLT M6X45MM	2 PCS
G	SPRING WASHER	10 PCS
H	FLAT WASHER	10 PCS
I	ALLEN KEY	1 PC