

# ALINIA CHAIR

## ASSEMBLY INSTRUCTION



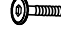

Read instruction carefully. Remove all wrapping material staples and strap from the carton see hardware and furniture part list for guidance. Be sure you have all parts before you start assembling. Place all wooden furniture part on a clean and flat soft surface, such as carpet or prevent from scratched.

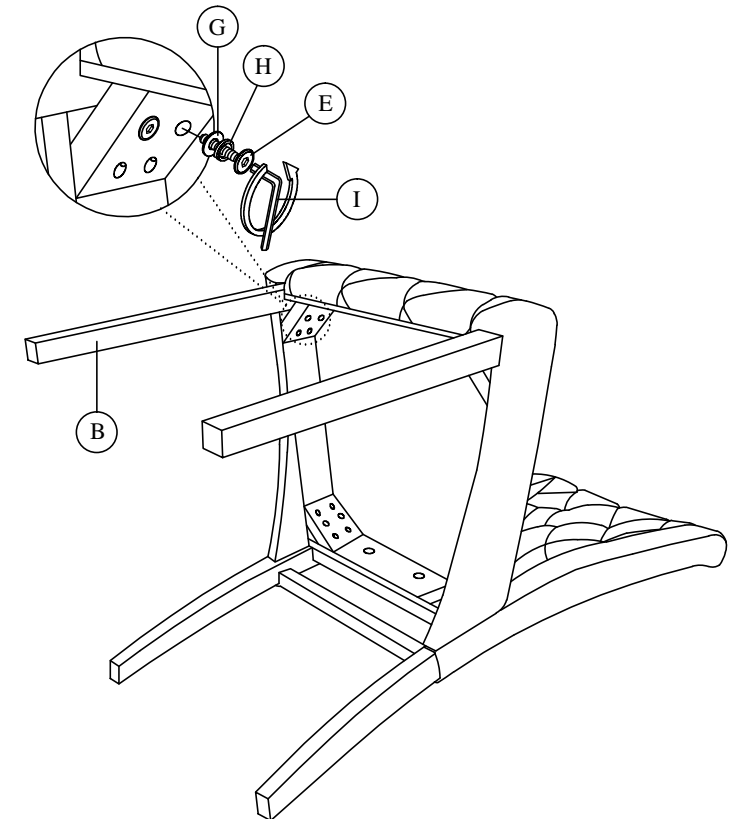
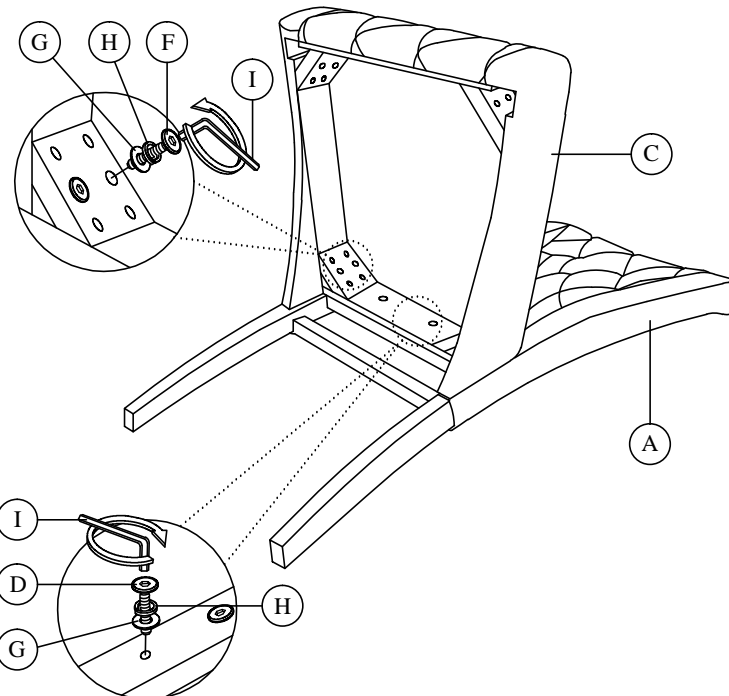
**CAUTION: KEEP ALL HARDWARE PART OUT OF REACH OF CHILDREN.**

### PART LIST

ITEM	DESCRIPTION	QTY
A	CHAIR BACK FRAME	1
B	FRONT LEG	2
C	CUSHION SEAT	1

### HARDWARE LIST

ITEM	DESCRIPTION	QTY	ITEM	DESCRIPTION	QTY
D	JCBC SCREW M6 x 45mm 	2	G	FLAT WASHER ¼"	10
E	JCBC SCREW M6 x 60mm 	4	H	SPRING WASHER ¼"	10
F	JCBC SCREW M6 x 80mm 	4	I	ALLEN KEY 	1



www.hinlim.com

ISO 9001:2000  
Certificate No. 2502

