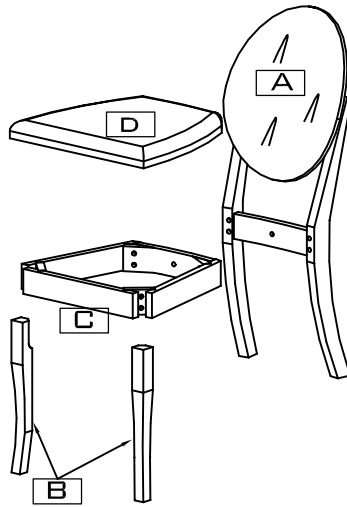
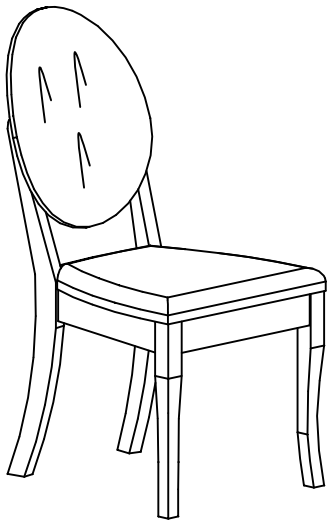


ASSEMBLY INSTRUCTION

1138 SWAN DINING CHAIR



PART CHECK LIST

CODE	COMPONENT	QTY
A	BACK STAND	1
B	FRONT LEG	2
C	BOX SEAT	1
D	SEAT CUSHION	1

FITTING CHECK LIST

CODE	COMPONENT	QTY
01	JCBC	8
02	SPRING WASHER	9
03	FLAT WASHER	9
04	JCBC	1
05	SCREW	6
06	L-BRACKET	3
07	ALLEN KEY	1

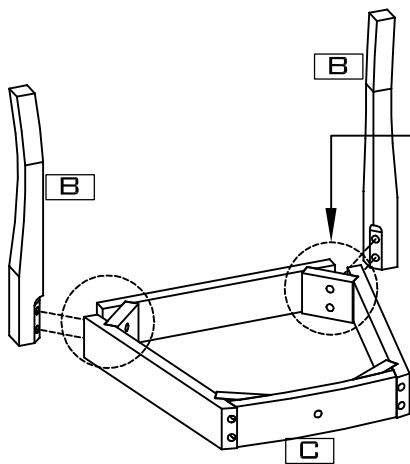
TOOL NEEDED
(NOT REQUIRED)



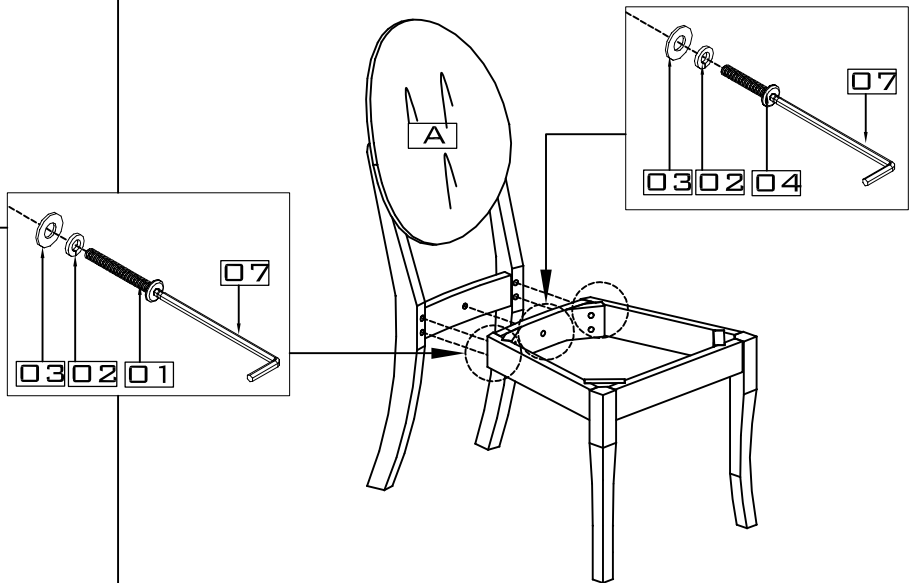
PHILLIP HEAD
SCREW DRIVER

Please do not discard any of the packaging until you have checked all the parts and the packs of fittings.

01



02



03

