

ASSEMBLY INSTRUCTION

Avoid using sharp objects such as a knife to cut open the bubble wrap packing as you may accidentally damage the sofa fabric.

The Sofa Bed Frame is pre-assembled to the sofa. Fix the 4 legs to the frame as shown in diagram 1. The Sofa Bed base is pre-marked for the ease of your sofa leg assembly.

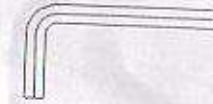
Insert both the JCBC Bolt and holes on the legs before securing the bolt firmly.

Tighten all the bolts using the Allen Key provided through the holes as shown in diagram 2. Do not over tighten.

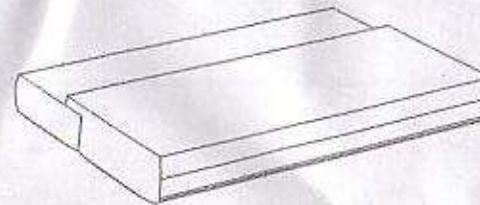
Parts and Hardware



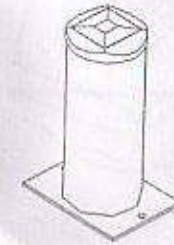
JCBC Bolt - 8pcs



Allen Key - 1pc

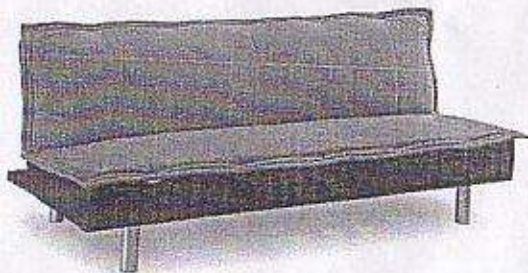


Sofa Bed - 1pc

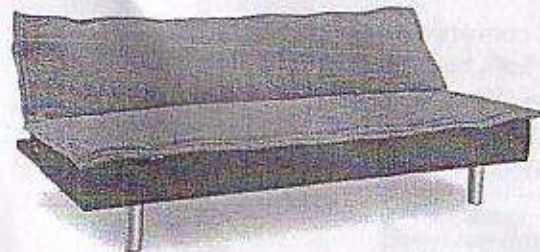


Leg - 4pcs

Function A



Function B



Function C



Diagram 1

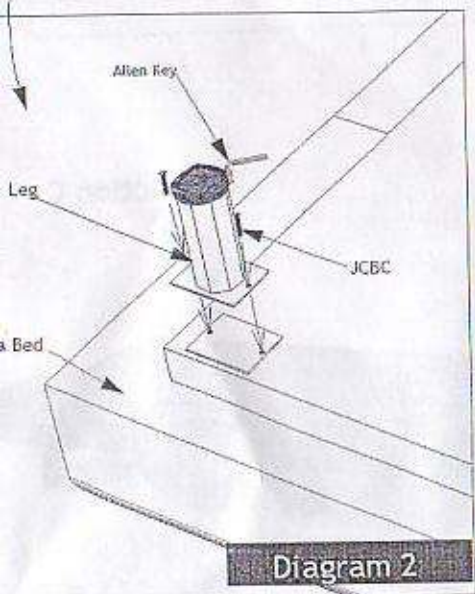
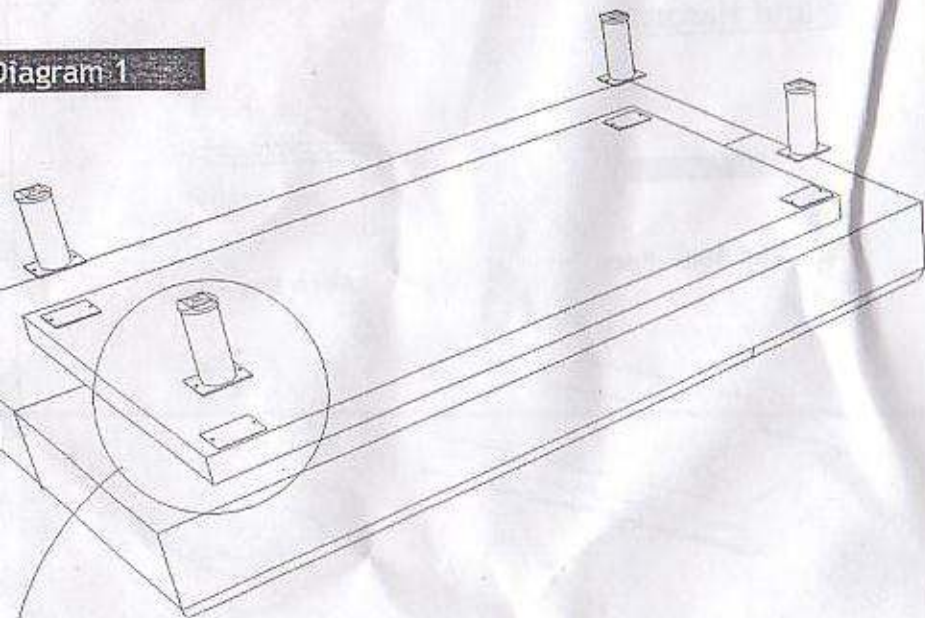
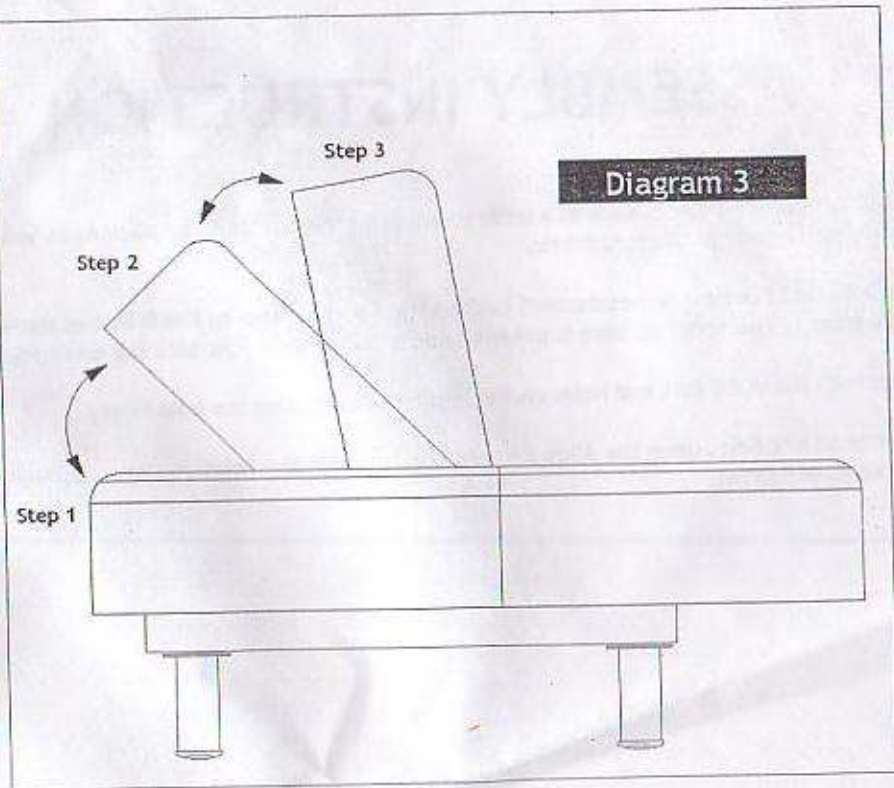


Diagram 2

Diagram 3



1. The Sofa Bed has 3 positions as shown in diagram 3.

2. Stand in the middle at the back of the sofa bed and lift up the back to the required positions and secure it in place by listening to the clicking sound of the mechanism in the sofa. Make sure that the two sides of the locking mechanism lock at the same angle.

3. For back to bed conversion, stand in the middle at the back of the Sofa Bed and simply lift the back up all the way to the end until the final clicking position of the sofa mechanism is heard and slowly release it back to the bed position.

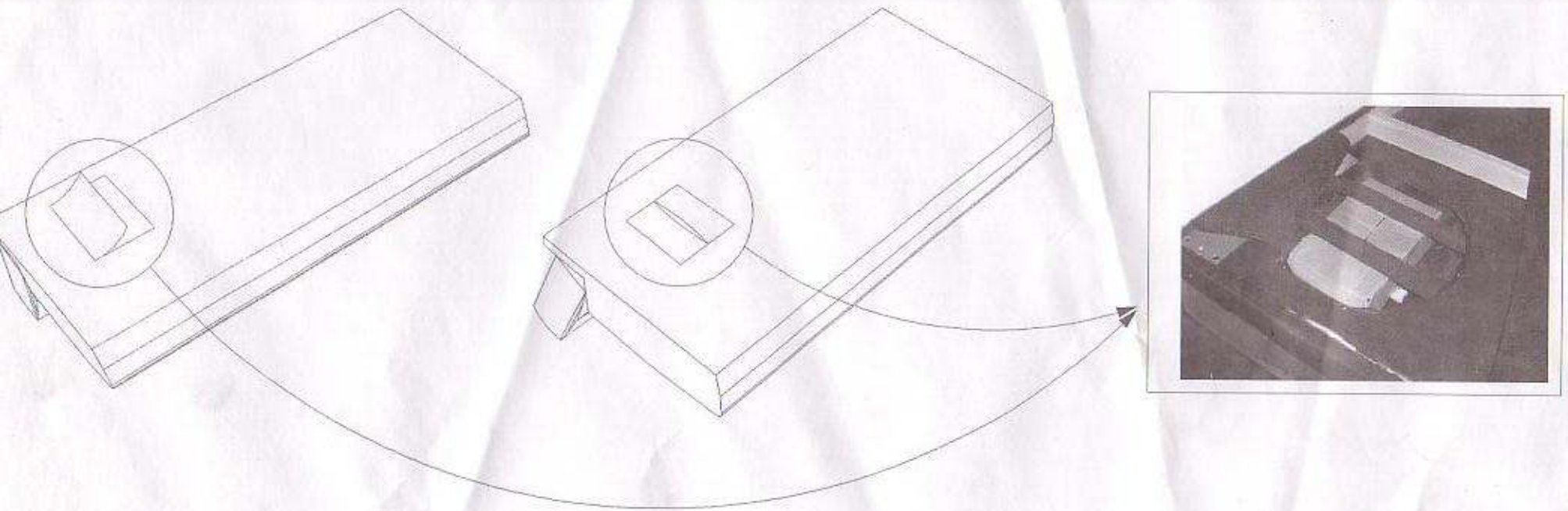


CONVERSION METHOD
WHEN CONVERTING, ALWAYS ENSURE THAT YOU PLACE YOURSELF IN THE MIDDLE OF THE CASUAL CONVERTIBLE

Packing Hardware

Sofa legs and hardware are packed and stored underneath the sofa seat.

To remove the hardware, turn the body upside down and unzip the base cover as shown below



Pictures for illustration only *