

# ASSEMBLY INSTRUCTION

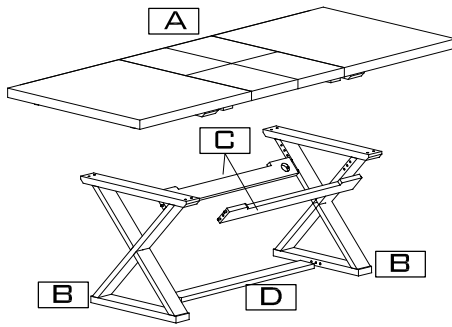
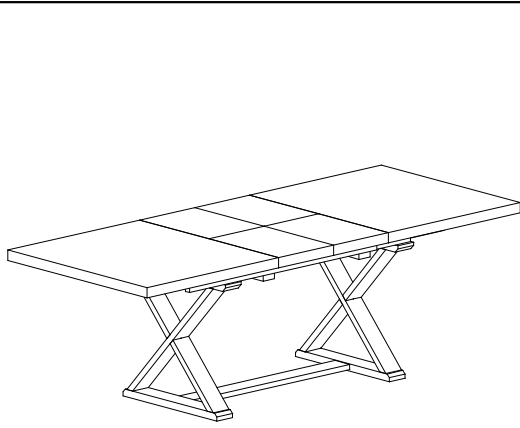
## 5418-RAF/RDF/RMF/ROF/OOF/VDF

### PART CHECK LIST

CODE	COMPONENT	QTY
A	TABLE TOP	1
B	LEG	2
C	STRETCHER-TOP	2
D	STRETCHER-BOTTOM	1
E	FITTING PACK	1

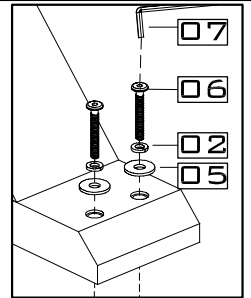
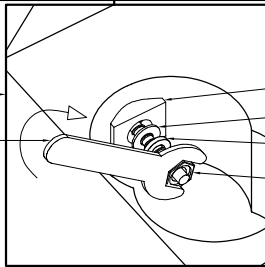
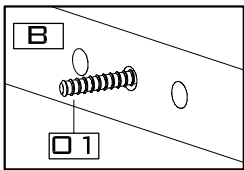
### FITTING CHECK LIST

CODE	COMPONENT	QTY
01	BOLT	6
02	SPRING WASHER	14
03	D-WASHER	6
04	HEXAGON-BOLT	6
05	FLAT WASHER	14
06	JCBC SCREW	8
07	ALLEN KEY	1
08	SPANNER	1

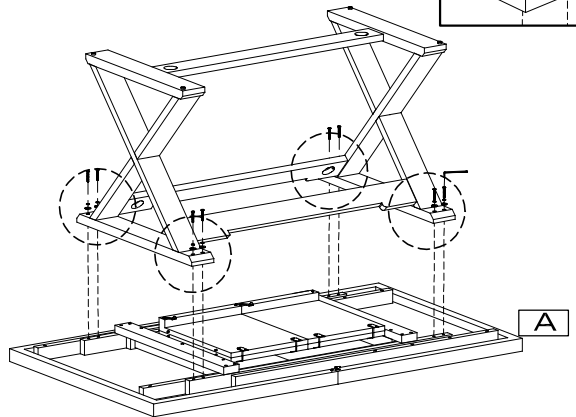
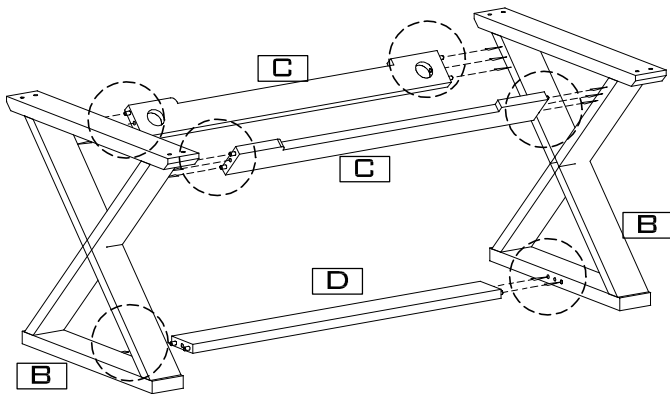


Please do not discard any of the packaging until you have checked all the parts and the packs of fittings.

1



2



3

