

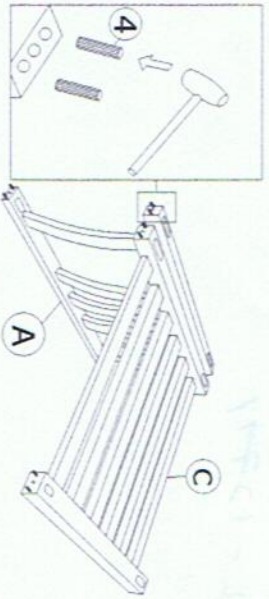
ASSEMBLY INSTRUCTION

DINING CHAIR

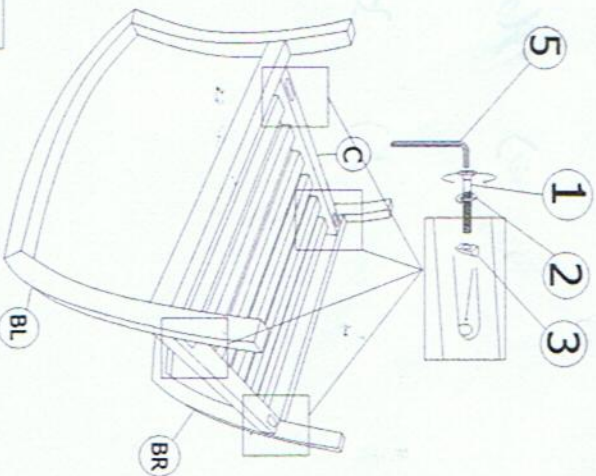
PRODUCT DESCRIPTION

Read instruction carefully. Remove all wrapping material, staples and straps from the carton. See Hardware and Furniture Part List for guidance. Be sure you have all parts before you start assembling. Place all wooden furniture part a clean and flat soft surface, such as carpet or rug to prevent from being scratched.

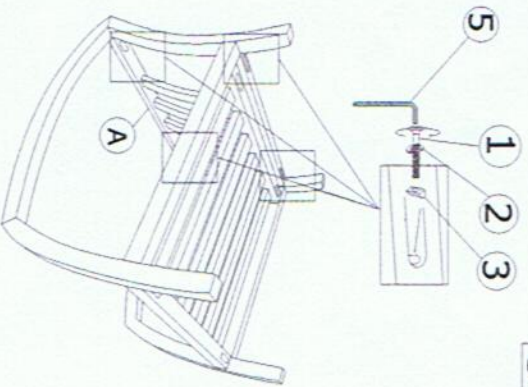
CAUTION
KEEP ALL HARDWARE PART OUT OF REACH OF CHILDREN



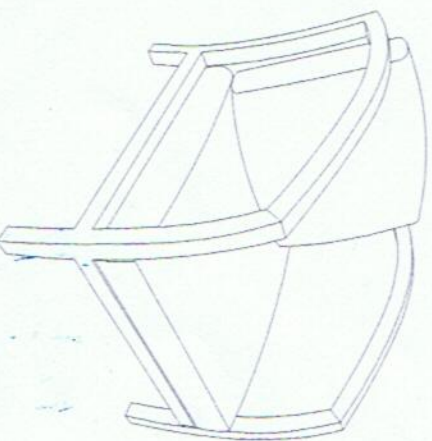
STEP 1



STEP 2



STEP 3



COMPLETED CHAIR ASSEMBLY

HARDWARE LIST

ITEM	DESCRIPTION	QTY
1	JCBC BOLT M6 X 50MM	8 PCS
2	SPRING WASHER M6	8 PCS
3	SCREW PIN	8 PCS
4	WOOD DOWEL	8 PCS
5	ALLEN KEY M4 (BALL SHAPE)	1 PC
6	ADJUSTABLE SCREW	4 PCS

PART LIST

ITEM	DESCRIPTION	QTY
A	CHAIR BACK	1 PC
B	ARM LEG (L&R)	2 PCS
C	CHAIR FRAME	1 PC