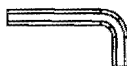




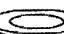

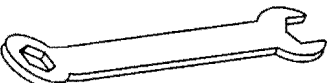


VER Dining Table
VER-DT1600SS

PARTS CHECK - LIST

CODE	COMPONENT	QTY
(A)	LEG	X2
(B)	RAIL	X1
(C)	COVER	X2
(D)	PANEL	X1

FITTINGS CHECK-LIST

CODE	DESCRIPTION	QTY
1		X1
2		X4
3		X4
4		X4
5		X4
6		X4
7		X4
8		X1