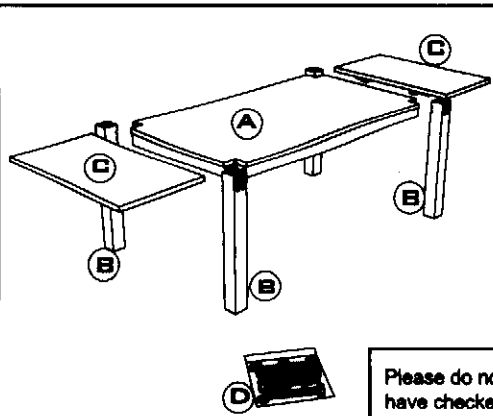
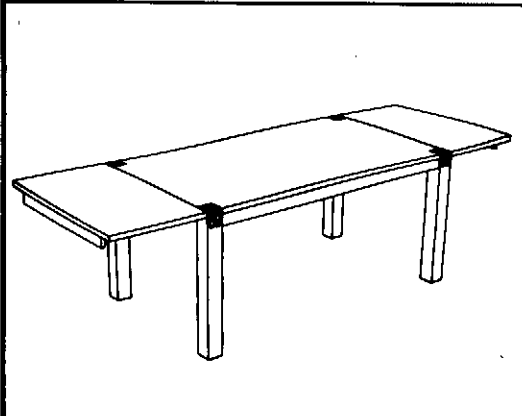


# ASSEMBLY INSTRUCTION

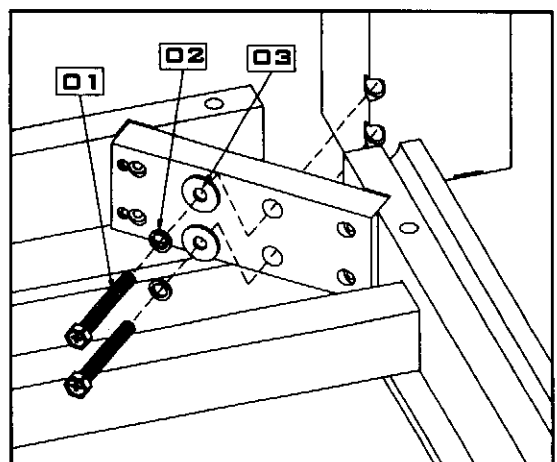
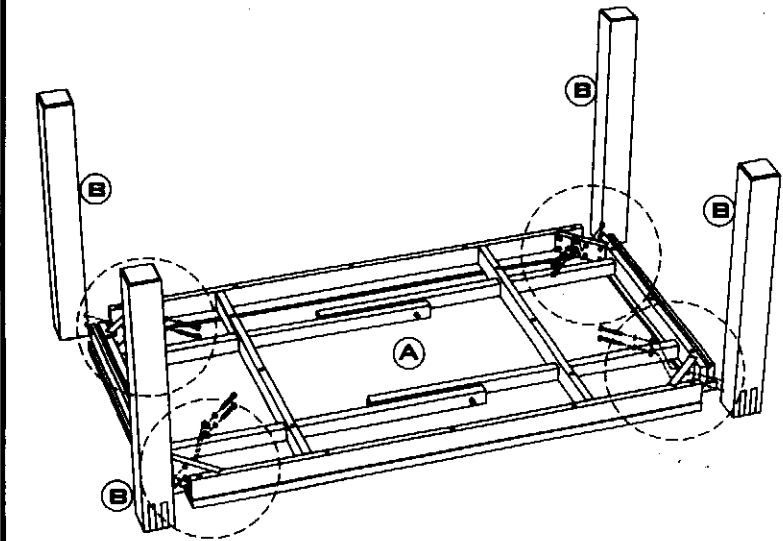
5561 - VDT / VOT / OOT



PARTS CHECK-LIST		
CODE	COMPONENT	QTY
(A)	TABLE TOP	x1
(B)	LEG	x4
(C)	EXTENSION PANEL	x1
(D)	FITTING PACK	x1

FITTING CHECK-LIST		
CODE	DESCRIPTION	QTY
01		x8
02		x8
03		x8

Please do not discard any of the packaging until you have checked all the parts and the packs of fittings.



## EXTENDING THE TABLE

