


ASSEMBLY INSTRUCTION


Dining Table

Read instruction carefully. Refer hardware and furniture parts list for guidance. Be sure all parts are complete, before assembling, place all wooden furniture part on a clean and flat soft surface to prevent scratches. Refer steps provided as assembling guide.

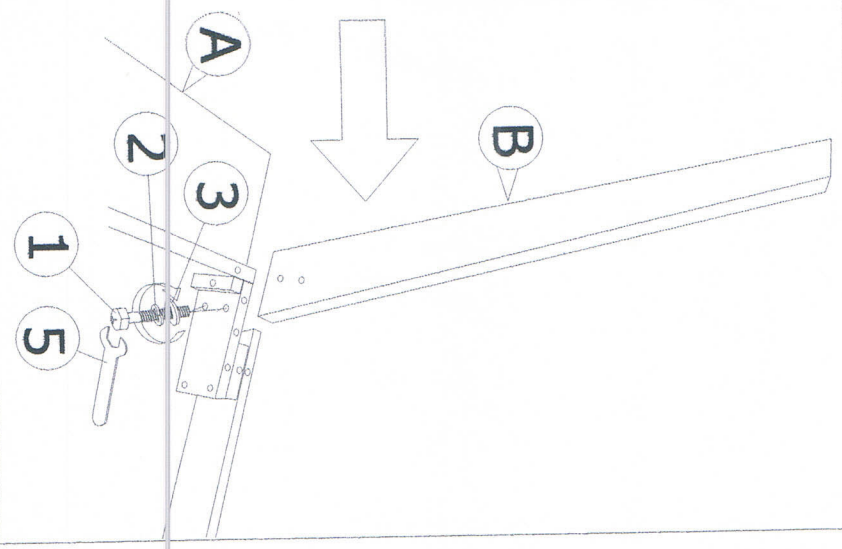
CAUTION :
 1. Do not FULLY-TIGHTEN the nuts or nut bolts until all are in place.
 2. To prevent thread damage, ensure that nuts or nut bolts are not over tighten.
 3. Hardware are to be kept out reach from children.

PART LIST			HARDWARE LIST		
ITEM	DESCRIPTION	QTY	ITEM	DESCRIPTION	QTY
A	TABLE TOP	1 PCS	1	HEX COMB. SCREW 5/16" x 2"	8 PC
B	TABLE LEG (LEFT)	2 PCS	2	SPRING WASHER 5/16"	8 PC
C	TABLE LEG (RIGHT)	2 PCS	3	FLAT WASHER 5/16"	8 PC
D	TRIANGLE WOOD BLOCK	4 PCS	4	CSK SCREW 8 X 32	8 PC
			5	SPANNER 12.8	1 PC

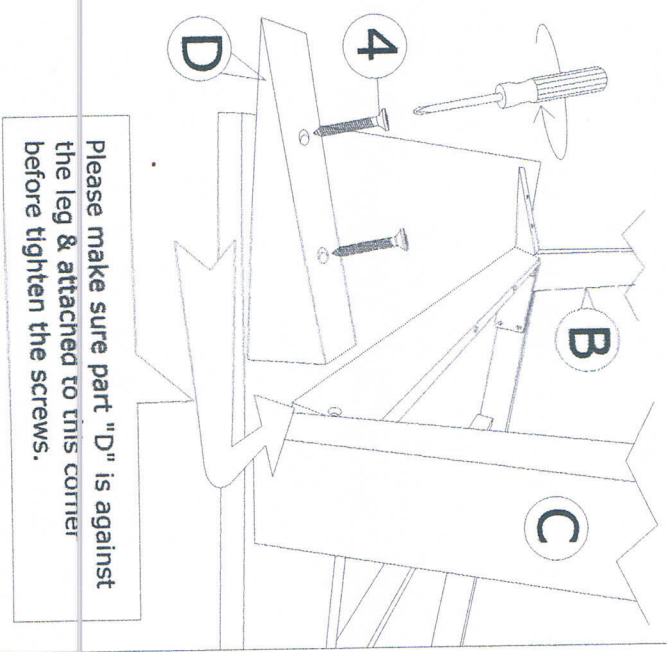
 Table to be assembled by 2 person

 SCREW DRIVER (NOT INCLUDED)

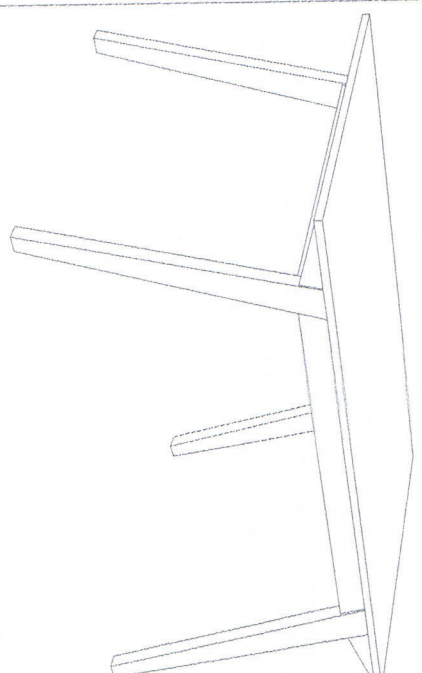
STEP 1



STEP 2



Please make sure part "D" is against the leg & attached to this corner before tighten the screws.



COMPLETED ASSEMBLY