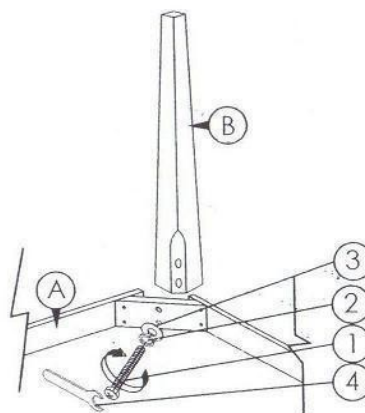


# POLLY



STEP 1



## PRODUCT DESCRIPTION

Read instruction carefully. Remove all wrapping material, staples and straps from the carton. See Hardware and Furniture Part List for guidance. Be sure you have all parts before you start assembling. Place all wooden furniture parts on a clean and flat soft surface, such as a carpet or rug to prevent the parts from being scratched.

## CAUTION:

**KEEP ALL HARDWARE PARTS OUT OF REACH OF CHILDREN.**

HARDWARE LIST			
ITEM	DESCRIPTION		QTY
A	HEX COM. SCREW 5/16" x 2 1/2"		8 PCS
B	SPRING WASHER 5/16"		8 PCS
C	FLAT WASHER 5/16"		8 PCS
D	SPANNER 12.8		1 PC

PART LIST		
ITEM	DESCRIPTION	QTY
1	TABLE TOP	1 PC
2	TABLE LEG	4 PCS



[www.hinlim.com](http://www.hinlim.com)

ISO 9001:2000  
Certificate No. 2502

