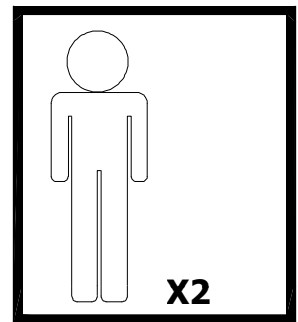
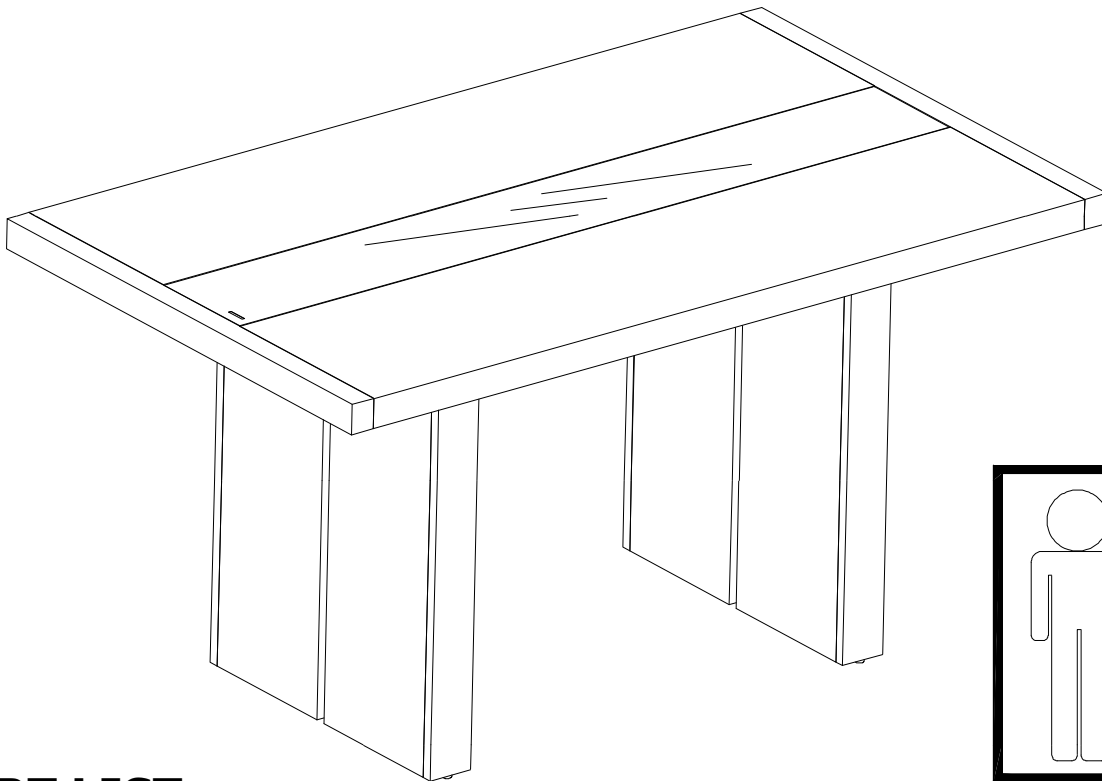
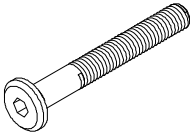
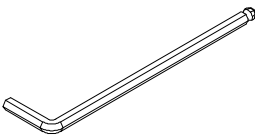

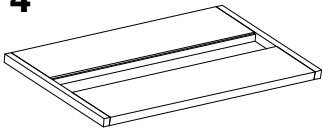
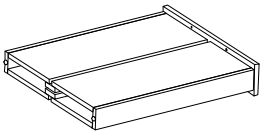



ASSEMBLY INSTRUCTION

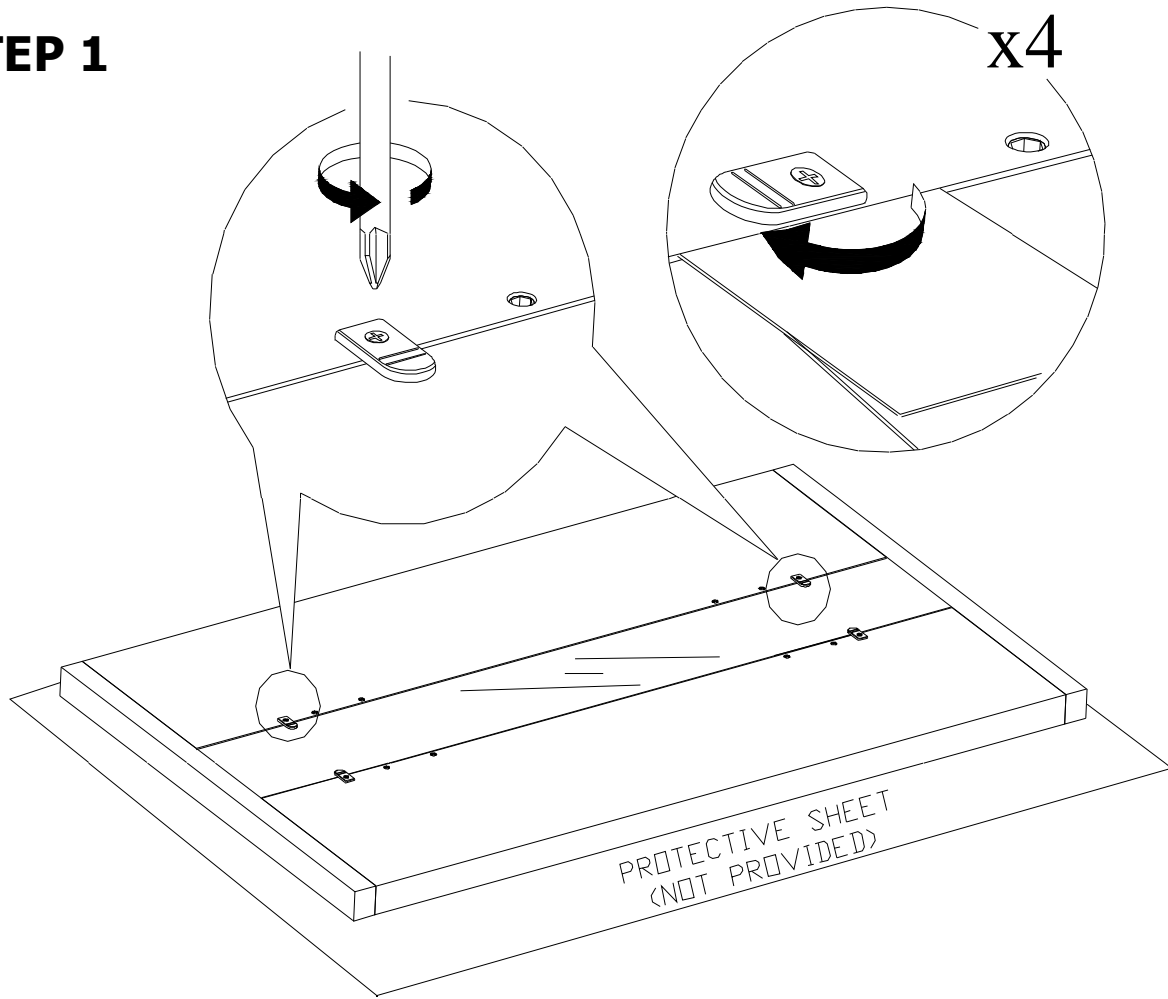
THG-6501BBH/L ,THG-6502BBH/L



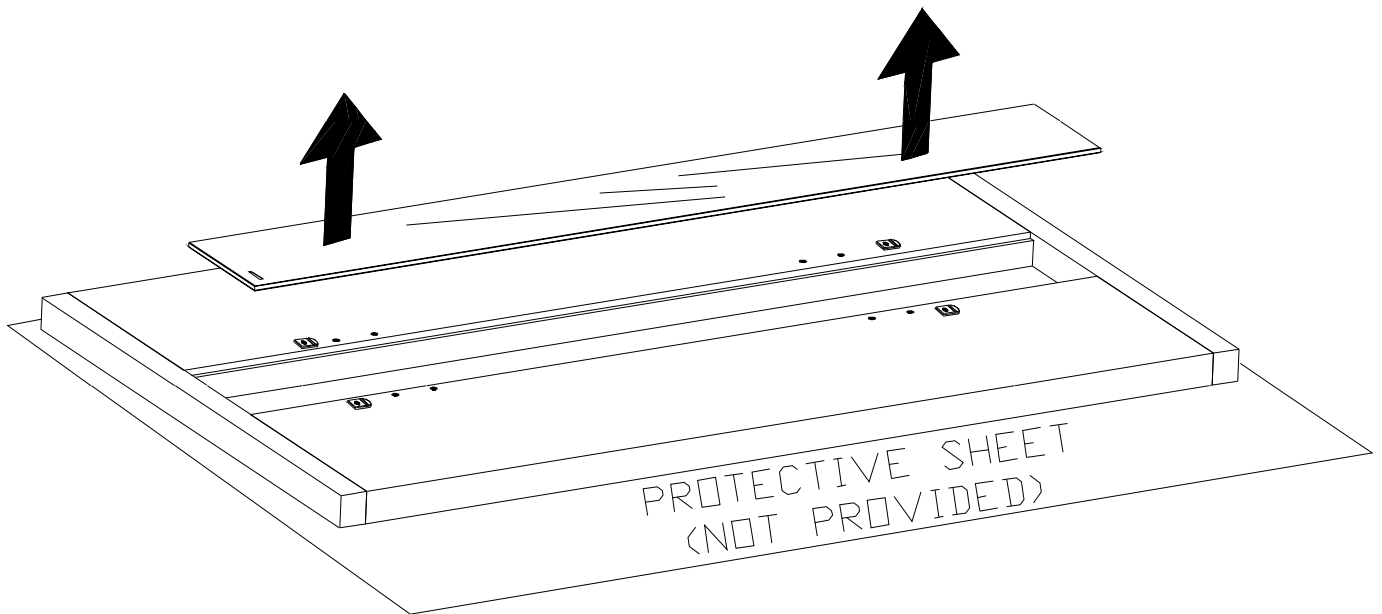
PART LIST

1  M6X45 JCBC Screw X 8	2  Allen Key For M6 Screw X 1	3  Glass Top X 1	4  Table Top x 1
5  Table Leg x 2	6  BUMP ON x 6		

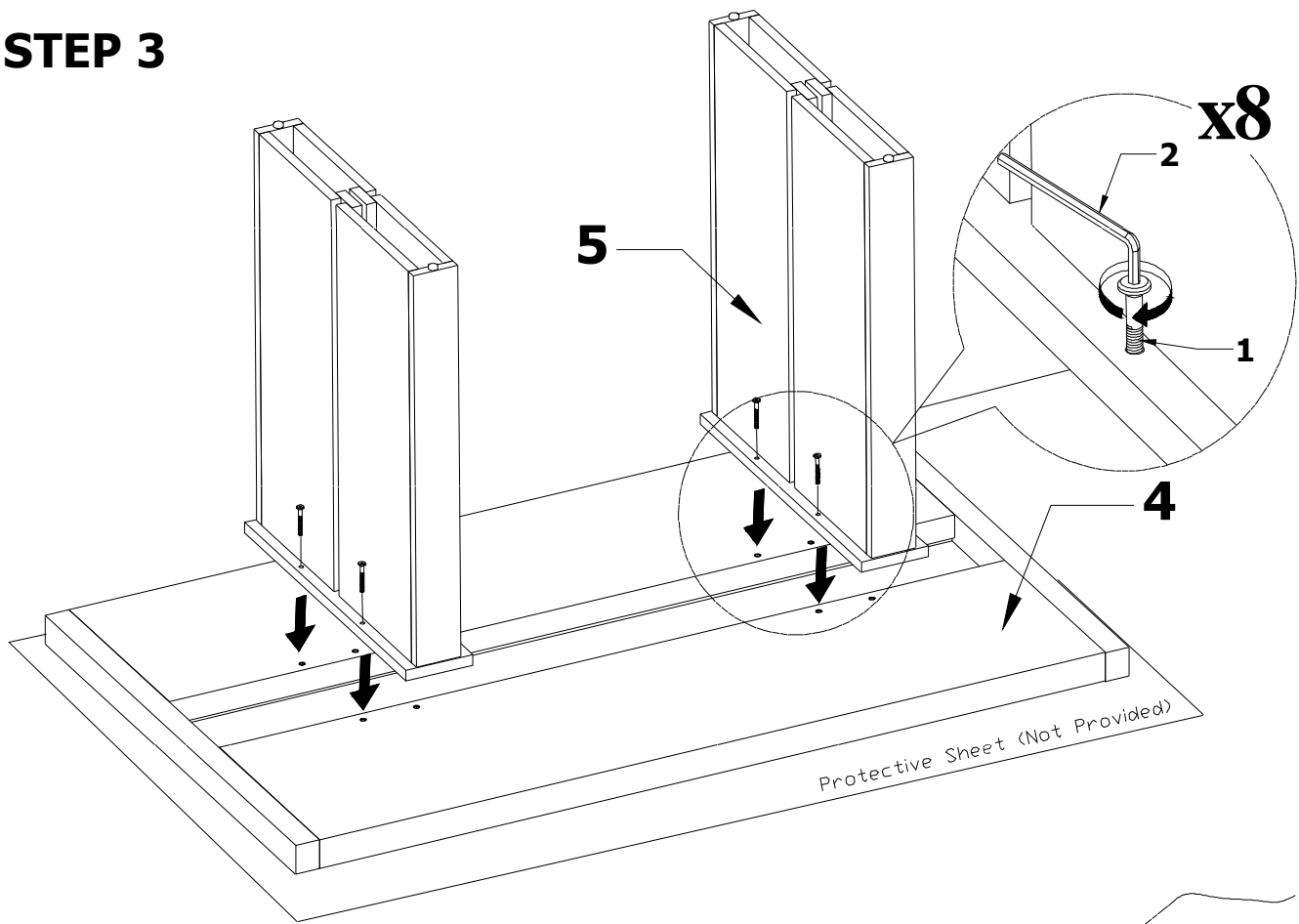
STEP 1



STEP 2



STEP 3



STEP 4

