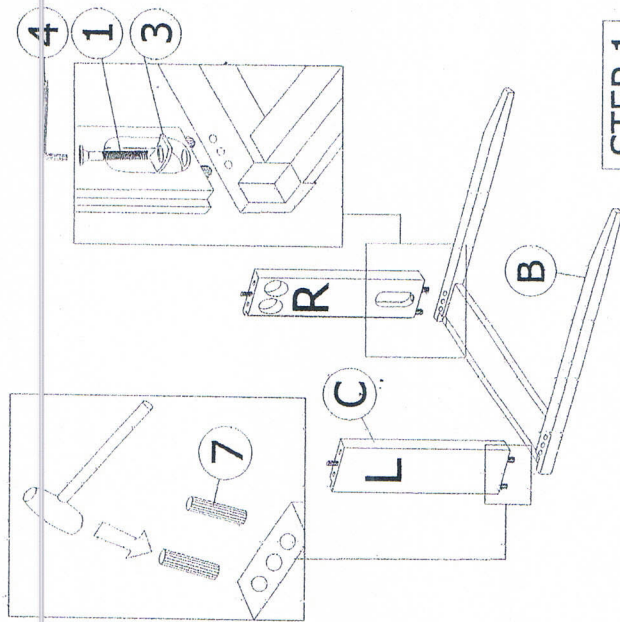
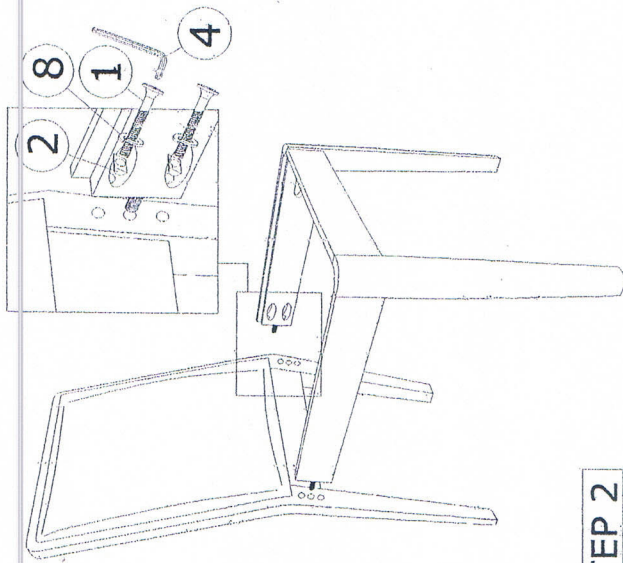


# ASSEMBLY INSTRUCTION

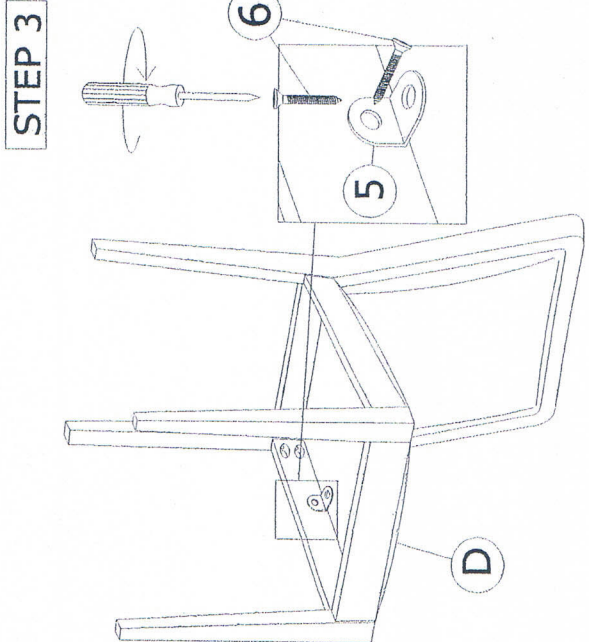
# DINING CHAIR



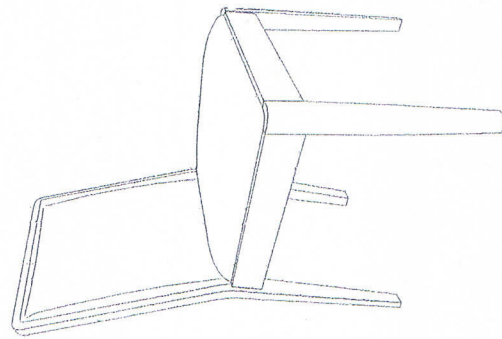
STEP 1



STEP 2



STEP 3



COMPLETED CHAIR ASSEMBLY

## PRODUCT DESCRIPTION

Read instruction carefully. Remove all wrapping material, staples and straps from the carton. See Hardware and Furniture Part List for guidance. Be sure you have all parts before you start assembling. Place all wooden furniture part a clean and flat soft surface, such as carpet or rug to prevent from being scratched.

**CAUTION :**  
KEEP ALL HARDWARE PART OUT OF REACH OF CHILDREN.

| HARDWARE LIST |                         |       |
|---------------|-------------------------|-------|
| ITEM          | DESCRIPTION             | QTY   |
| 1             | JCBC SCREW M6 X 50MM    | 6 PCS |
| 2             | SCREW PIN               | 4 PCS |
| 3             | BEND WASHER             | 2 PCS |
| 4             | ALLEN KEY (BALL SHAPE)  | 1 PC  |
| 5             | L-BRACKET               | 3 PCS |
| 6             | CSK CB SCREW 3.5 X 13MM | 6 PCS |
| 7             | WOOD DOWEL 10 X 30 MM   | 6 PCS |
| 8             | SPRING WASHER M6        | 4 PCS |

| PART LIST |                      |       |
|-----------|----------------------|-------|
| ITEM      | DESCRIPTION          | QTY   |
| A         | BACK REST            | 1 PC  |
| B         | FRONT LEG            | 1 SET |
| C         | SIDE STRETCHER (L&R) | 2 PCS |
| D         | CHAIR SEAT           | 1 PC  |