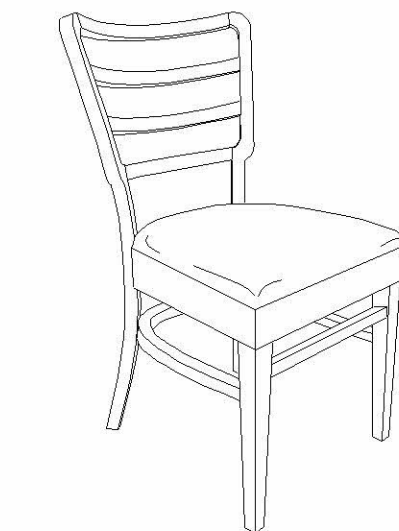
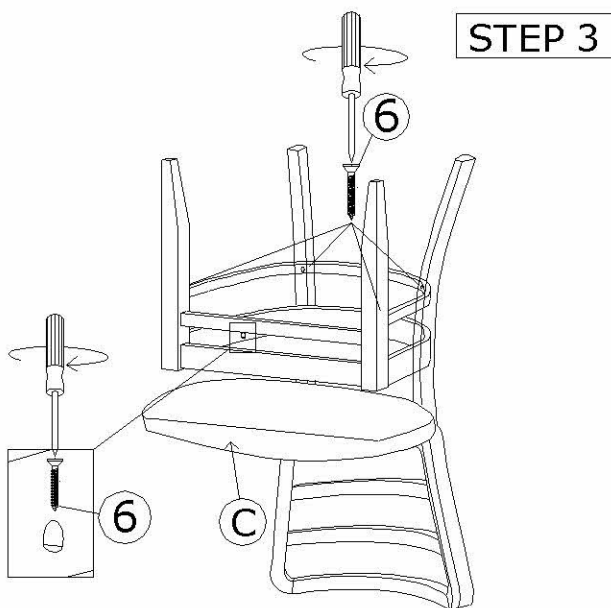
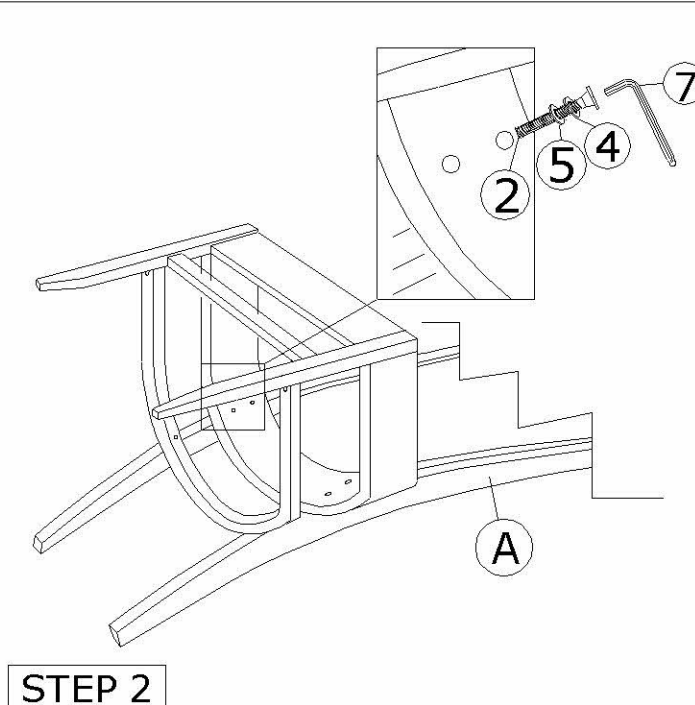
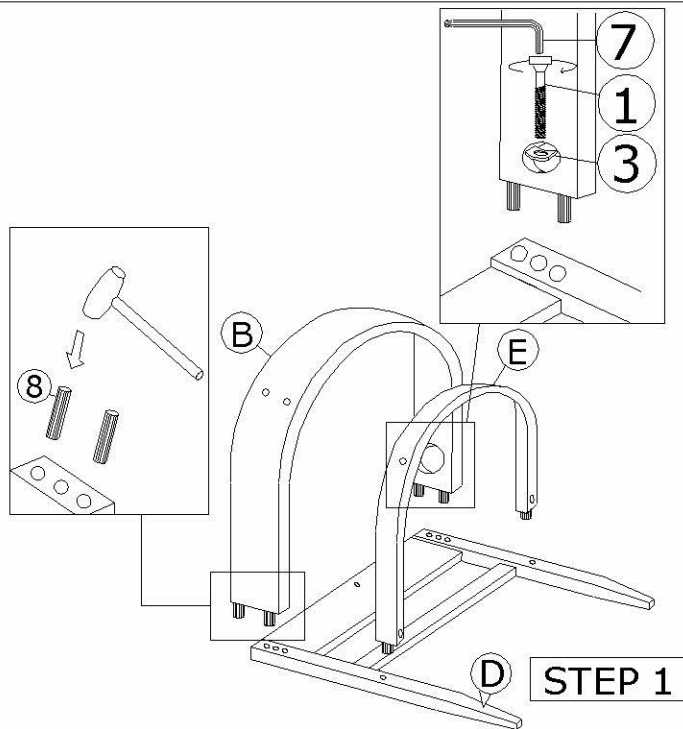


ASSEMBLY INSTRUCTION

DINING CHAIR



COMPLETED CHAIR ASSEMBLY

Read instruction carefully. Remove all wrapping material, staples and straps from the carton. See Hardware and Furniture Parts List for guidance. Be sure you have all parts before you start assembling. Place all wooden furniture part a clean and flat soft surface, such as carpet or rug to prevent from being scratched.

CAUTION :

KEEP ALL HARDWARE PART OUT OF REACH OF CHILDREN.

HARDWARE LIST

| ITEM | DESCRIPTION | QTY |
|------|---------------------------|-------|
| 1 | JCCA BOLT M6 X 60MM | 2 PCS |
| 2 | JCBC BOLT M6 X 50MM | 4 PCS |
| 3 | BEND WASHER | 2 PCS |
| 4 | SPRING WASHER M6 | 4 PCS |
| 5 | FLAT WASHER | 4 PCS |
| 6 | CSK CB SCREW | 7 PCS |
| 7 | ALLEN KEY M4 (BALL SHAPE) | 1 PC |
| 8 | WOOD DOWEL | 4 PCS |

PART LIST

| ITEM | DESCRIPTION | QTY |
|------|-----------------------|-------|
| A | BACK REST | 1 PC |
| B | 'U' FRAME SUPPORT BAR | 1 PC |
| C | CHAIR SEAT | 1 PC |
| D | FRONT LEG | 1 SET |
| E | 'U' RAIL BAR | 1 PC |