





# ASSEMBLY INSTRUCTION

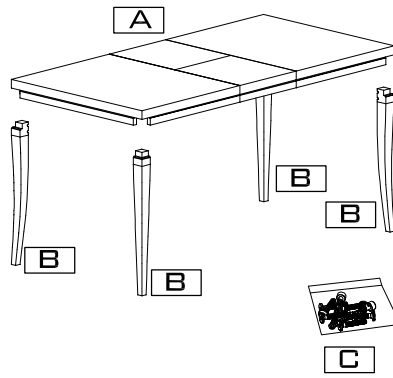
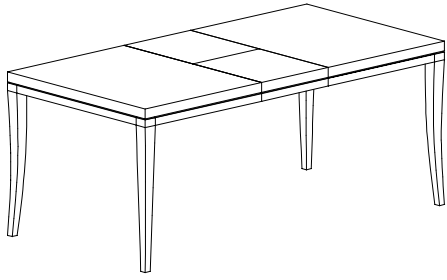
## 5361 CASSANDRA EXT DINING TABLE

### PARTS CHECK-LIST

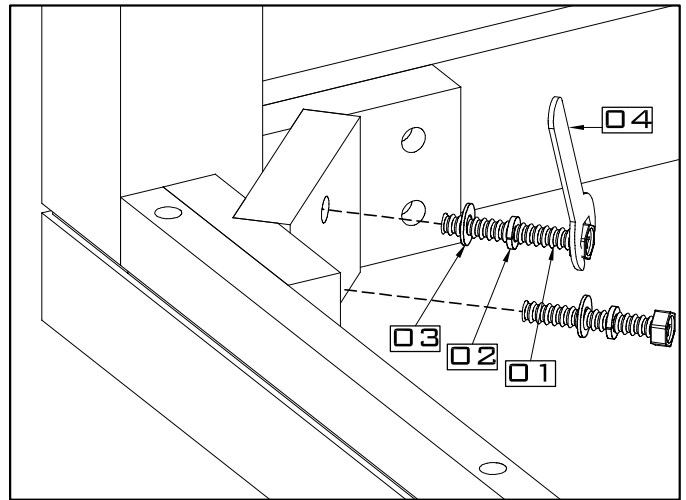
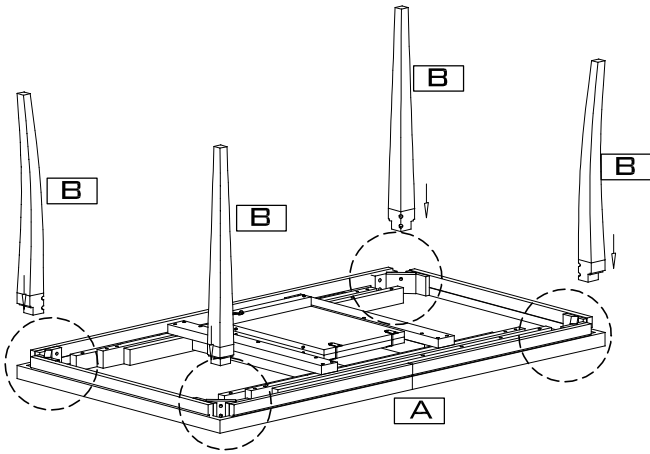
CODE	COMPONENT	QTY
A	TOP	x1
B	LEG	x4
C	FITTING PACK	x1

### FITTING CHECK-LIST

CODE	DESCRIPTION	QTY
01		x8
02		x8
03		x8
04		x1

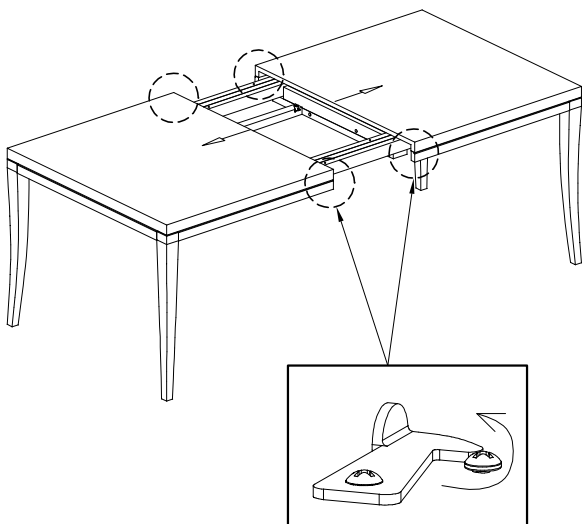


1

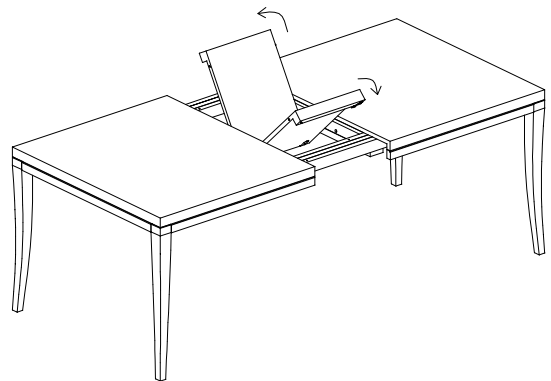


## 2 EXTENDING THE TABLE

I)



II)



III)

