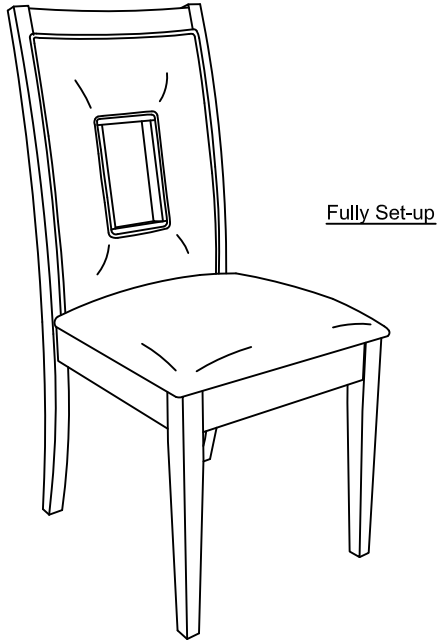


Assembly Instructions

New Jersey Dining Chair

Important Note:

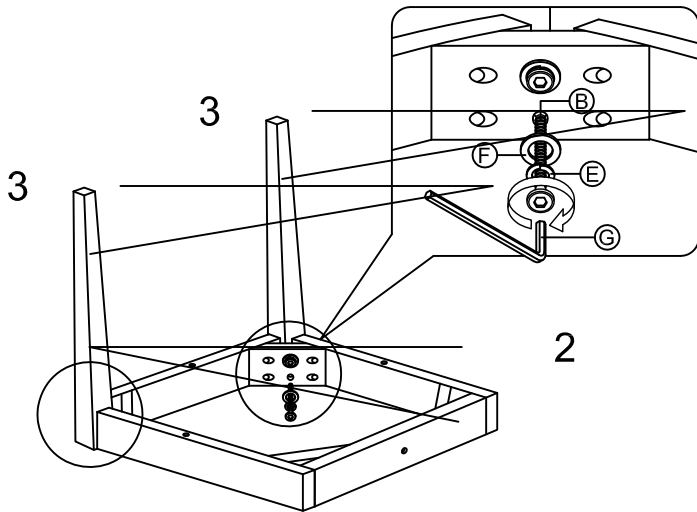
- * Place all wooden parts on a clean and smooth surface such as a rug or carpet to avoid the parts from being scratched.
- * Before you begin, kindly follow the assembly instructions step by step.
- * Do not tighten all screws until the chair is fully set-up.



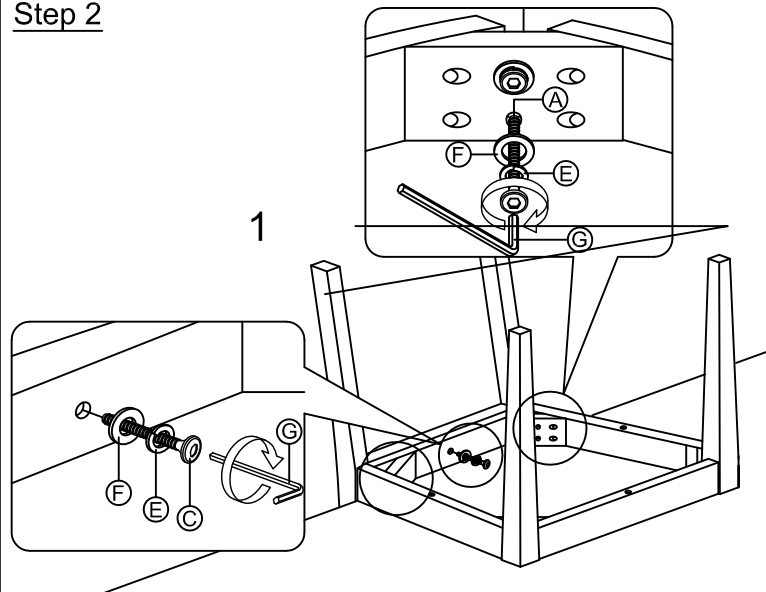
Part List		
Item	Description	Qty
1	Chair Back Rest	1pc
2	Seat Frame	1pc
3	Front Leg	2pcs
4	Seat Cushion	1pc

Hardware List		
NO	Description	Qty
A	JCBC Bolt M6 x 80mm	4pcs
B	JCBC Bolt M6 x 60mm	4pcs
C	JCBC Bolt M6 x 45mm	1pcs
D	Wood Screw M4 x 32mm	3pcs
E	Spring Washer 1/4x13mm	9pcs
F	Flat Washer 1/4x19mm	9pcs
G	Allen Key M4x110mm	1pc

Step 1



Step 2



Step 3

