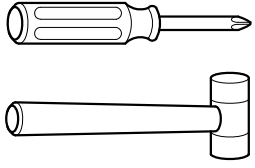
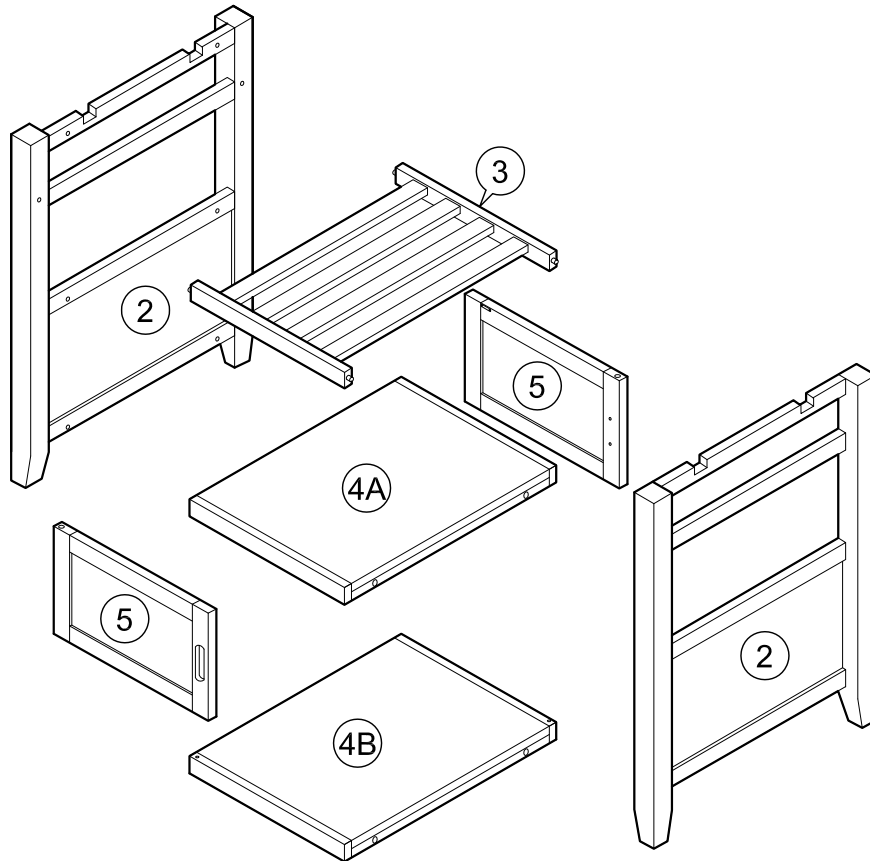
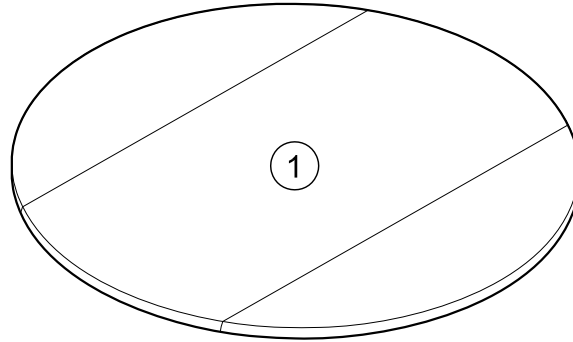


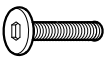
**ASSEMBLY
INSTRUCTIONS**


Item : Dayton Counter Table

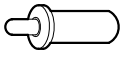


Not Provided




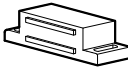
A  M6 x 30mm = 12


D  = 1

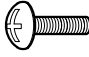
G  = 4

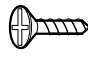
B  1/4" = 12

E  = 2

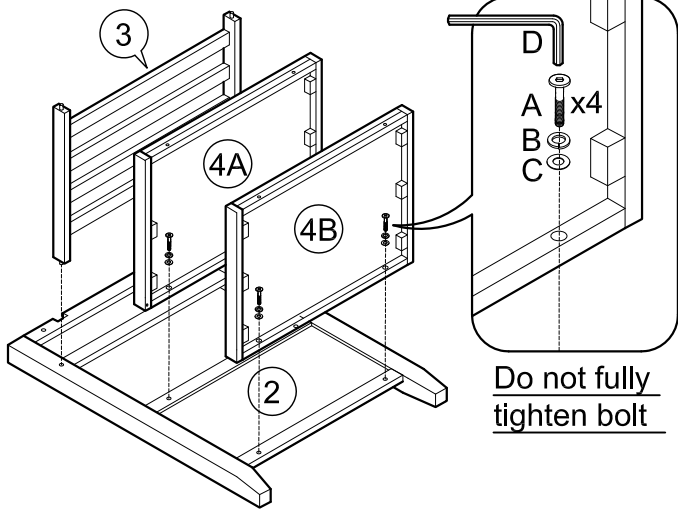
H  = 2

C  M6 x 13mm = 12

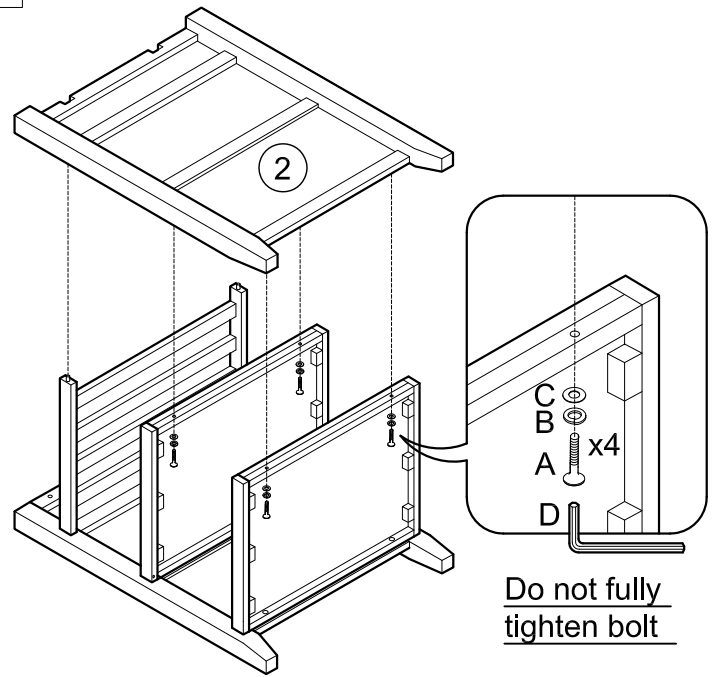
F  12mm = 4

I  M3 x 16mm = 4

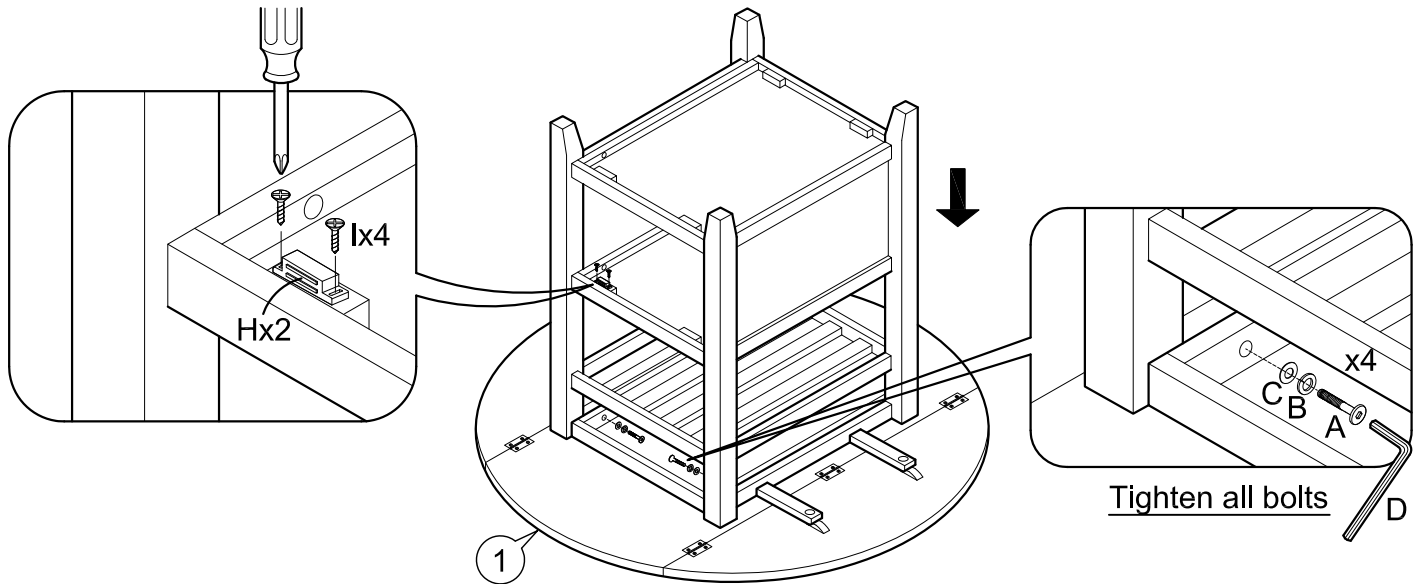
1



2



3



4

