

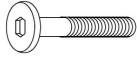

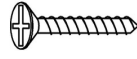

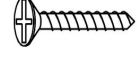
# ASSEMBLY INSTRUCTION

## Dayton Counter Stool

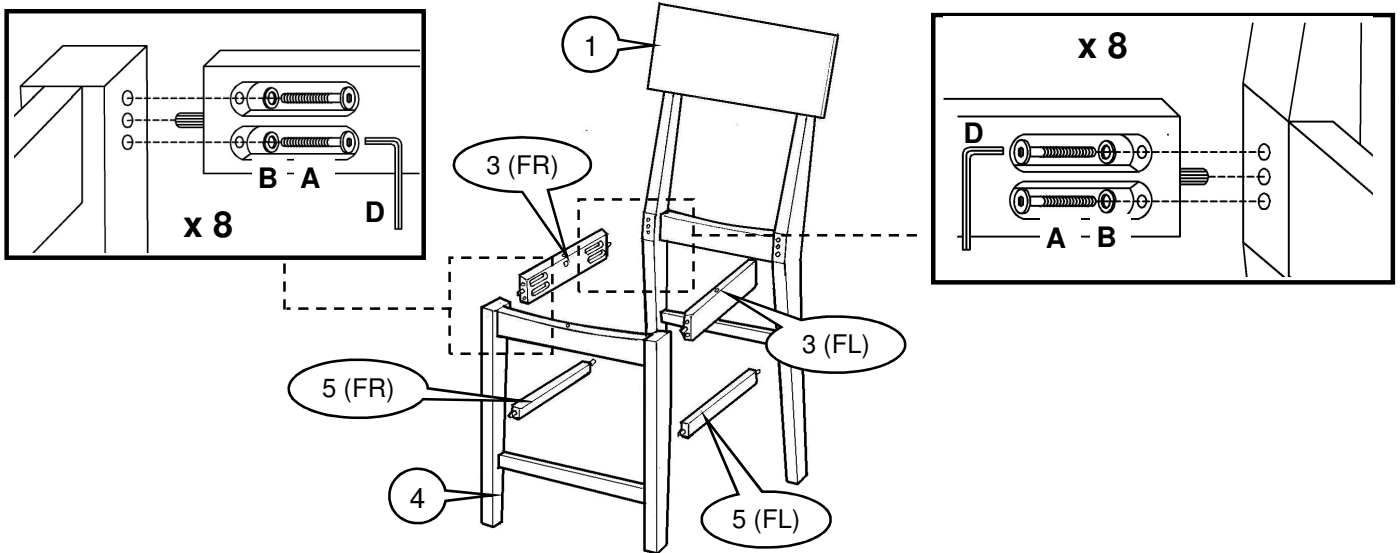
**IMPORTANT NOTE :**

- \* PLACE ALL WOODEN PARTS ON A CLEAN AND SMOOTH SURFACE SUCH AS A RUG OR CARPET TO AVOID THE PARTS FROM BEING SCRATCHED
- \* BEFORE YOU BEGIN, KINDLY FOLLOW THE ASSEMBLY INSTRUCTIONS STEP BY STEP.
- \* DO NOT TIGHTEN ALL SCREWS UNTIL THE CHAIR IS FULLY SET -UP.

LIST OF PARTS		
No	Description	Qty
1	Back Rest	2
2	Chair Seat	2
3	Apron - (FR)	2
	Apron - (FL)	2
4	Front Leg	2
5	Side Rail - (FR)	2
	Side Rail - (FL)	2

LIST OF HARDWARE			
NO	Description		Qty
A	JCBC M6 x 50mm		16
B	Spring Washer 1/4"		16
C	Chipboard Screw M4 x 38mm		8
D	Allen Key		1
E	Chipboard Screw M4 x 32mm		6

**Step 1**



**Step 2**

