

# ASSEMBLY INSTRUCTION

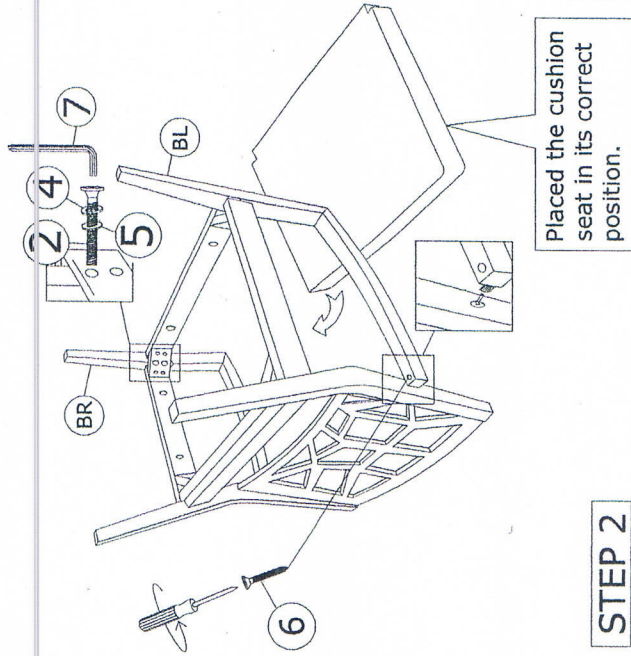
# DINING CHAIR

Read instruction carefully. Remove all wrapping material, staples and straps from the carton. See Hardware and Furniture Parts List for guidance. Be sure you have all parts before you start assembling. Place all wooden furniture part a clean and flat soft surface, such as carpet or rug to prevent from being scratched.

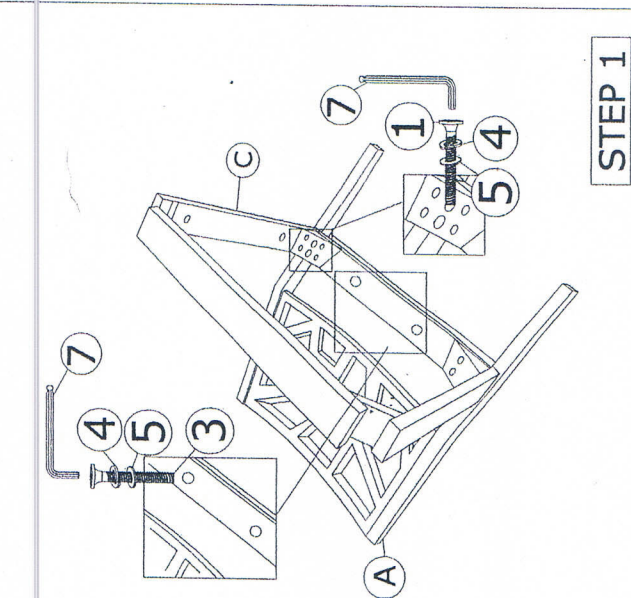
**CAUTION :**  
KEEP ALL HARDWARE PART OUT OF REACH OF CHILDREN.

HARDWARE LIST		
ITEM	DESCRIPTION	QTY
1	JCBC SCREW M6 X 80MM	4 PCS
2	JCBC SCREW M6 X 60MM	4 PCS
3	JCBC SCREW M6 X 40MM	2 PCS
4	SPRING WASHER M6	10 PCS
5	FLAT WASHER	10 PCS
6	CSK CB SCREW $\phi$ X 30MM	9 PCS
7	ALLEN KEY (BALL SHAPE)	1 PC

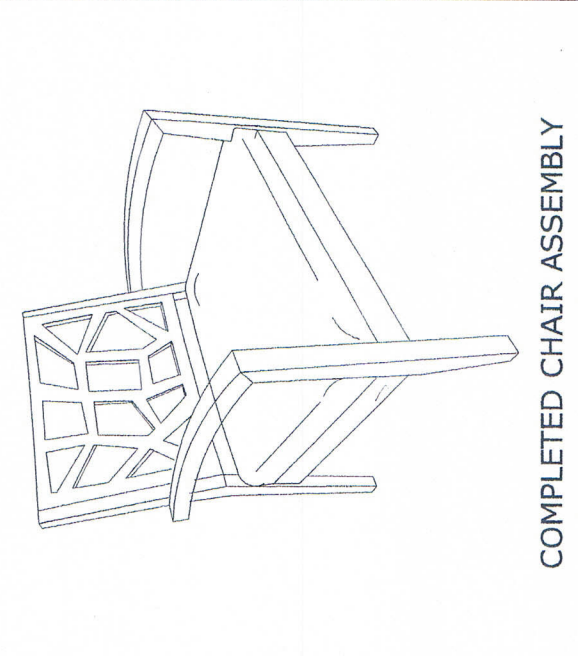
PART LIST		
ITEM	DESCRIPTION	QTY
A	BACK REST	1 PC
B	ARM LEG (L&R)	2 PCS
C	CHAIR FRAME	1 PC
D	CHAIR SEAT	1 PC



STEP 2



STEP 1



STEP 3

COMPLETED CHAIR ASSEMBLY