

ASSEMBLY INSTRUCTION

DINING TABLE

1000 X 1600 X 20MM

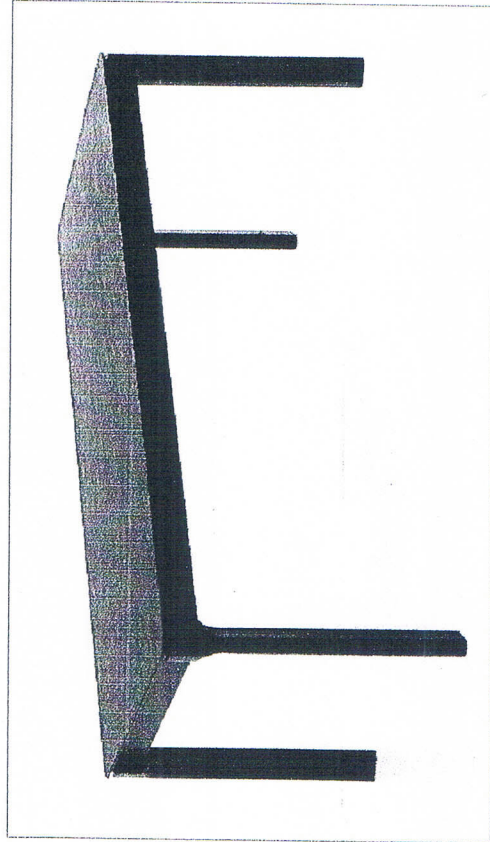
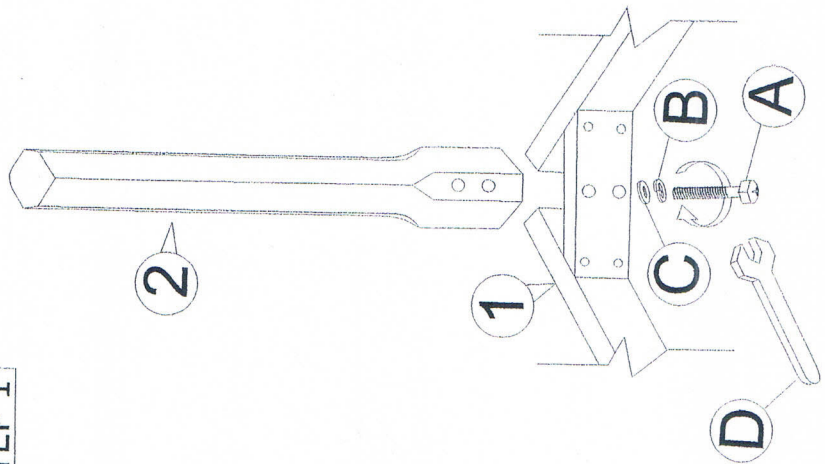
PART LIST		HARDWARE LIST			
ITEM	DESCRIPTION	QTY	ITEM	DESCRIPTION	QTY
1	TABLE TOP	1 PCS	A	HEX COMB. SCREW 5/16" x 2 1/2"	8 PCS
2	TABLE LEG	4 PCS	B	SPRING WASHER 5/16"	8 PCS
			C	FLAT WASHER 5/16"	8 PCS
			D	SPANNER 12.8	1 PCS

Read instruction carefully. Refer hardware and furniture parts list for guidance. Be sure all parts are complete, before assembling, place all wooden furniture part on a clean and flat soft surface to prevent scratches. Refer steps provided as assembling guide.

CAUTION :

1. Do not FULLY-TIGHTEN the nuts or nut bolts-until all are in place.
2. To prevent thread damage, ensure that nuts or nut bolts are not over tightened.
3. Hardware are to be kept out reach from children.

STEP 1



COMPLETED ASSEMBLY