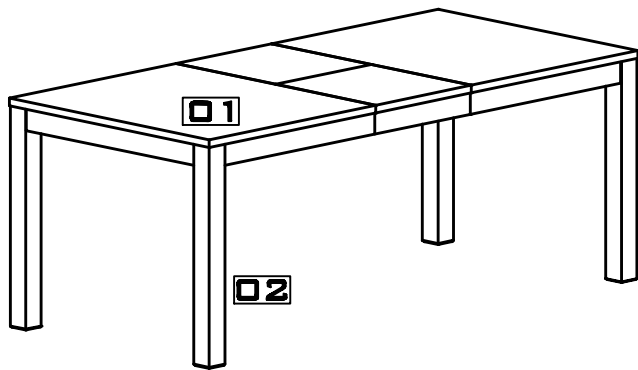


ASSEMBLY INSTRUCTION





5363 CASSANDRA EXT TABLE



PART CHECK LIST

CODE	COMPONENT	QTY
Q1	TOP	1
Q2	LEG	4

FITTING CHECK LIST

CODE	DESCRIPTION	QTY
A		8
B		8
C		8
D		1

Please do not discard any of the packaging until you have checked all the parts and the packs of fittings.

